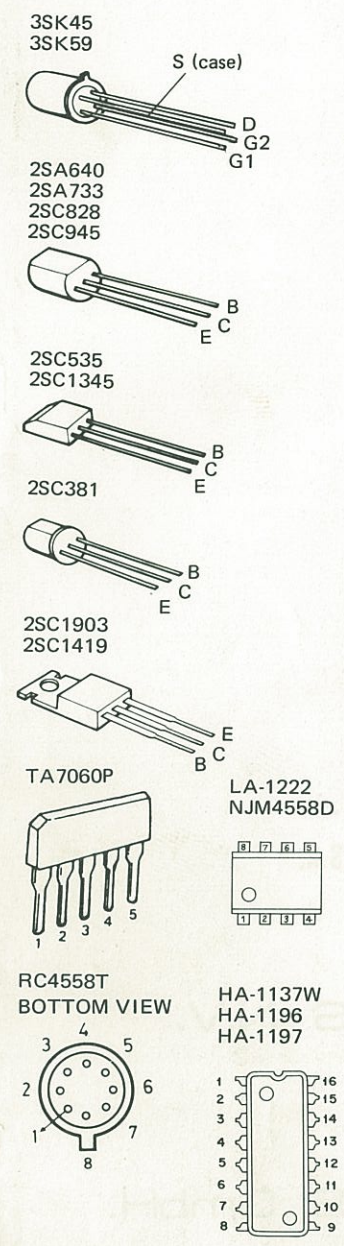
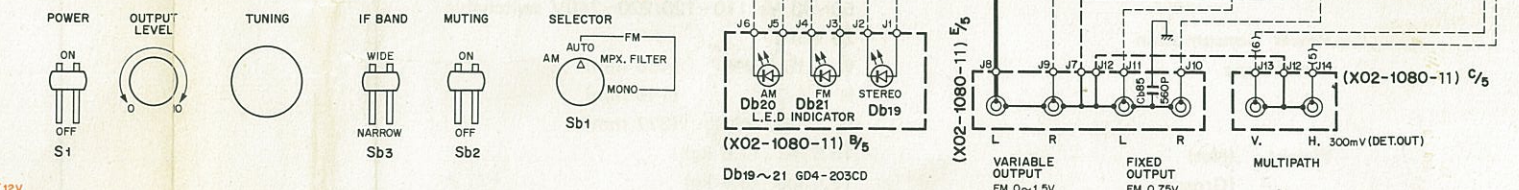
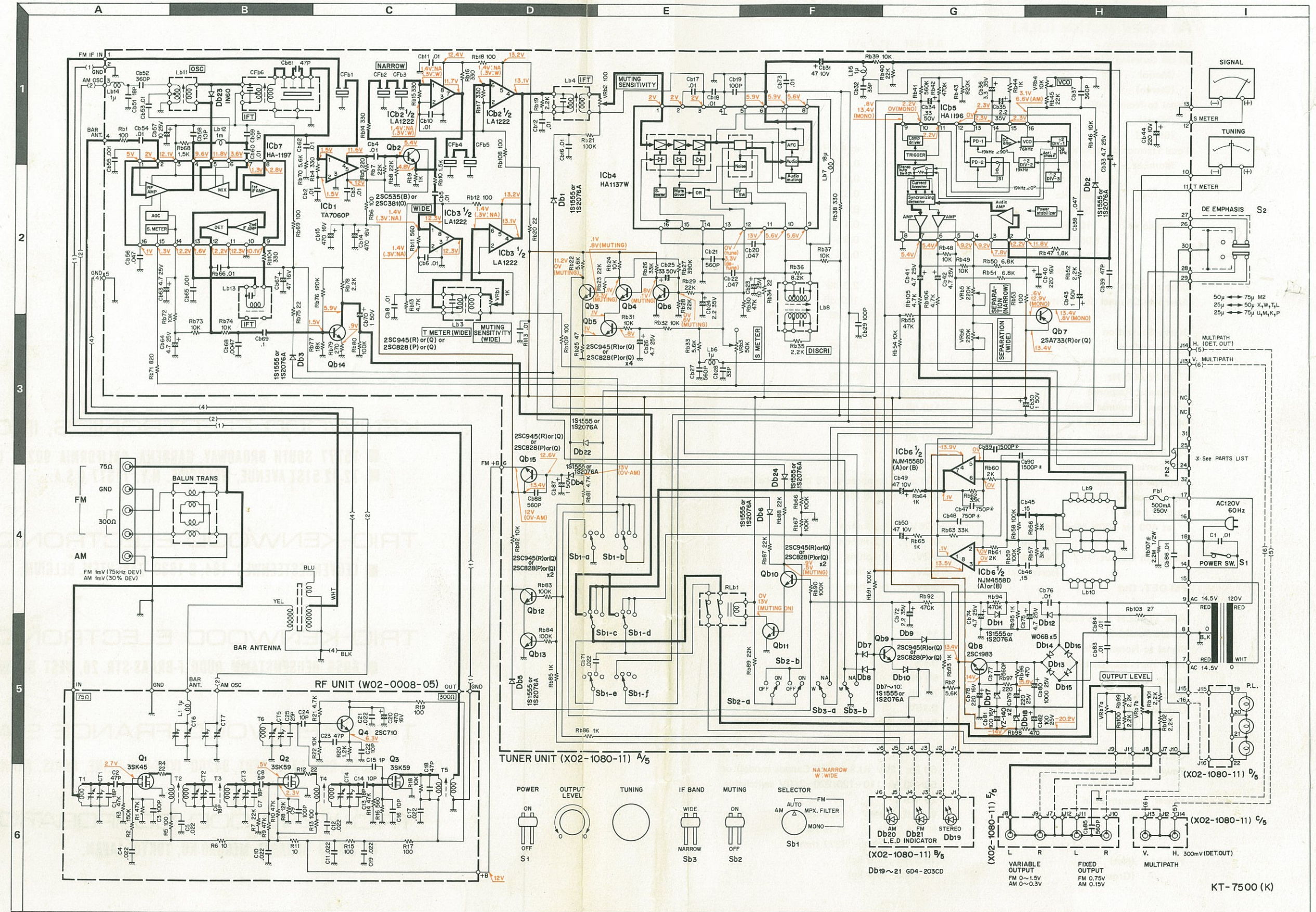


SCHEMATIC DIAGRAM



Semi-conductor	Substitution
2SA733	2SA640
2SC535	2SC381
2SC945	2SC1345
2SC828	2SC945
2SC1983	2SC1419
HA1137W	-
HA1196	-
HA1197	-
LA1222	-
NJM4558D	RC4558T
TA7060P	-
3SK45	-
3SK59	-



Note: DC voltage are measured with 20 k Ω /V meter at stereo signal reception. When repairing the RF unit (W02-0008-05), if replacement of FETs and transistors does not solve a trouble, replace the RF unit.