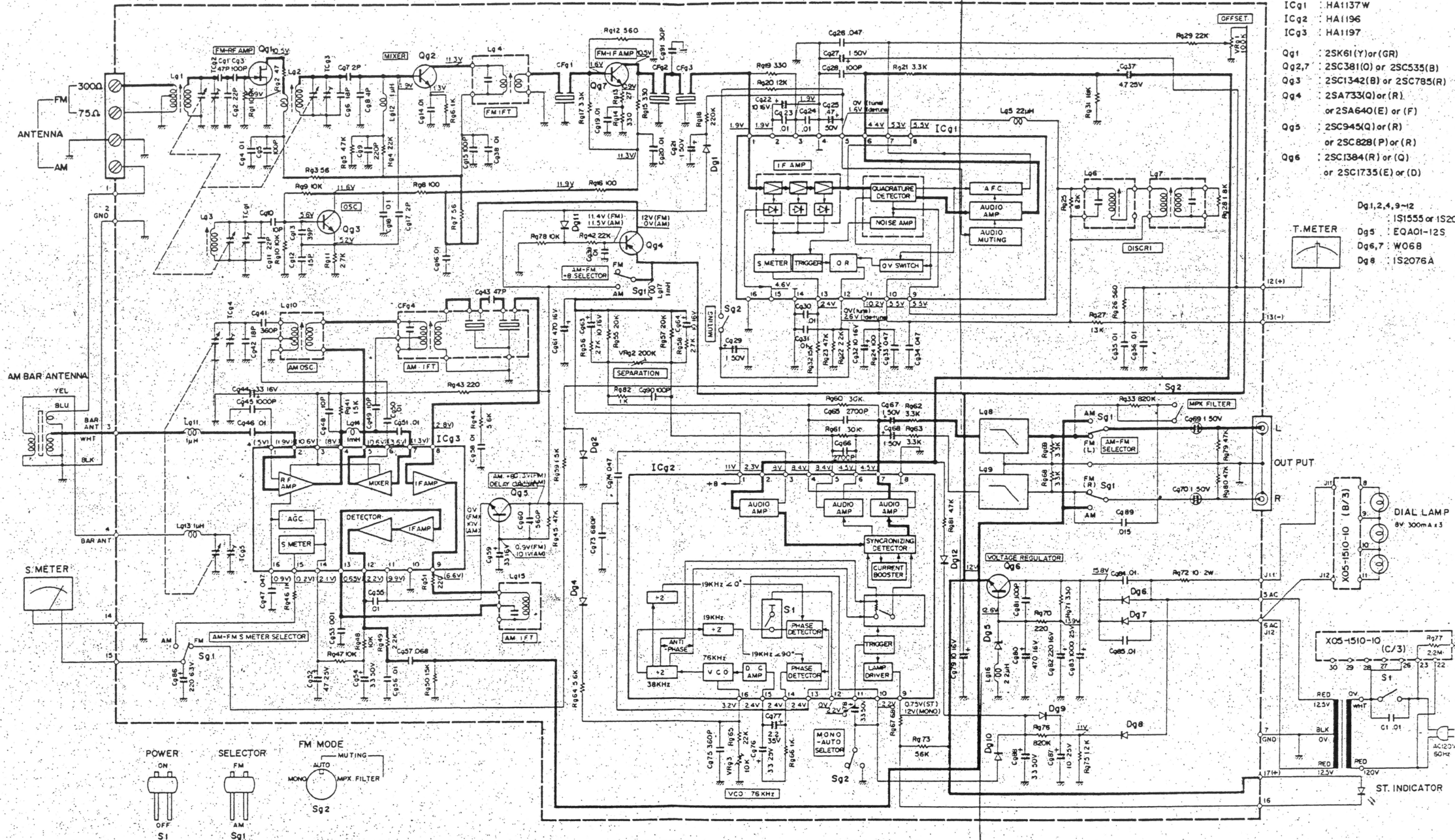


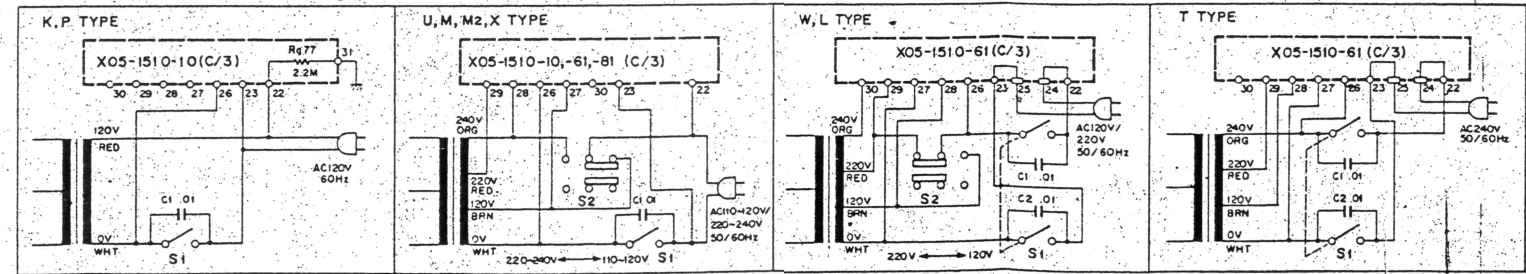
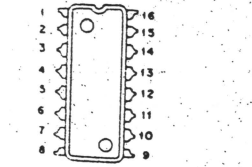
TUNER (X05-1510-10) (A/2)



- ICg1 : HA1137W
- ICg2 : HA1196
- ICg3 : HA1197
- Qg1 : 2SK61(Y) or (GR)
- Qg2,7 : 2SC381(O) or 2SC535(B)
- Qg3 : 2SC1342(B) or 2SC785(R)
- Qg4 : 2SA733(Q) or (R)  
or 2SA640(E) or (F)
- Qg5 : 2SC945(Q) or (R)  
or 2SC828(P) or (R)
- Qg6 : 2SC1384(R) or (Q)  
or 2SC1735(E) or (D)
- Dg1,2,4,9-12 : 1S1555 or 1S207E
- Dg5 : EQA01-12S
- Dg6,7 : W06B
- Dg8 : 1S2075A

- 2SK61
- 3SK45
- 3SK59
- 2SC535
- 2SC1342
- 2SC1345
- 2SA640
- 2SA733
- 2SC828
- 2SC945
- 2SC1384
- 2SC381
- 2SC785
- 2SC1735

- HA-1137W
- HA-1196
- HA-1197



Semiconductor name	Substitutions
2SA733	2SA640
2SC335	2SC381
2SC785	2SC1342
2SC945	2SC828, 2SC1345
2SC1384	2SC1735, 2SC1212A
HA1137W	-
HA1196	-
HA1197	-

DC voltages to the chassis are reference values obtained from measurements with a 20 k $\Omega$ /V circuit tester.   
 — voltages during FM stereo performance   
 ( ) voltages during AM performance