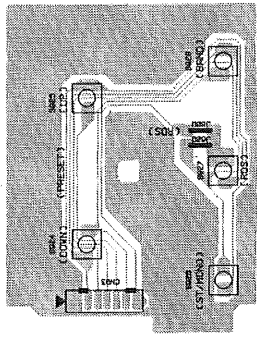


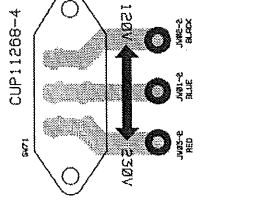
CUP11268-2



IC	ICT	ADUJ1	ADUJ2	RP

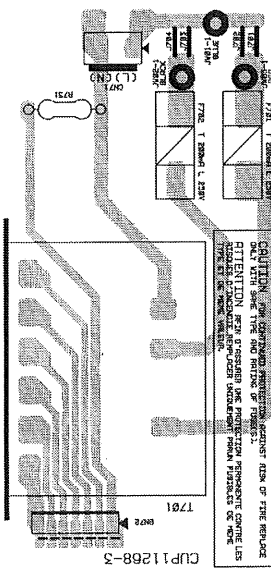


CUP11268



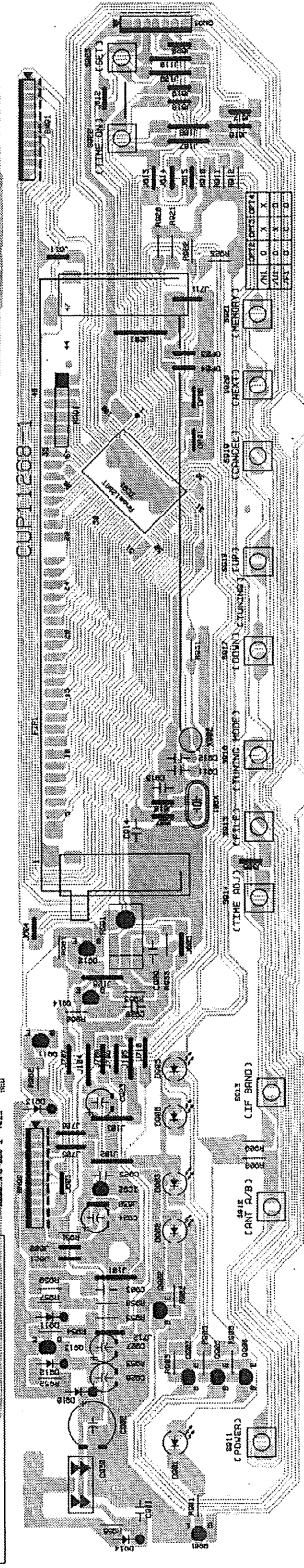
CUP11268-4

120  
120



CUP11268-3

NOTE: THE BOARD IS NOT TO BE USED FOR TESTING PURPOSES. THE BOARD IS NOT TO BE USED FOR TESTING PURPOSES. THE BOARD IS NOT TO BE USED FOR TESTING PURPOSES.



CUP11268-1

Q901

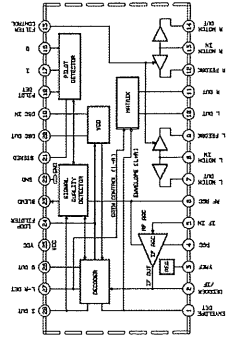
Q913 Q902  
Q903 Q905  
Q906

IC92

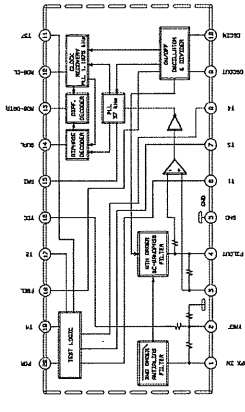
Q911 Q914 Q912

IC91

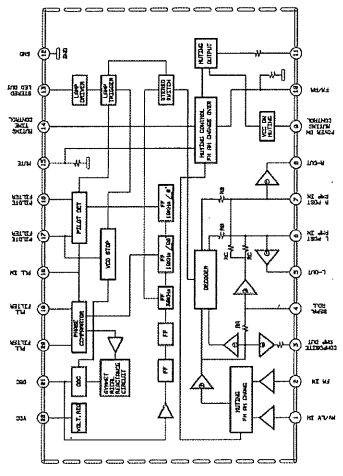
IC22 : MC13022DW



IC80 : TDA7330BD



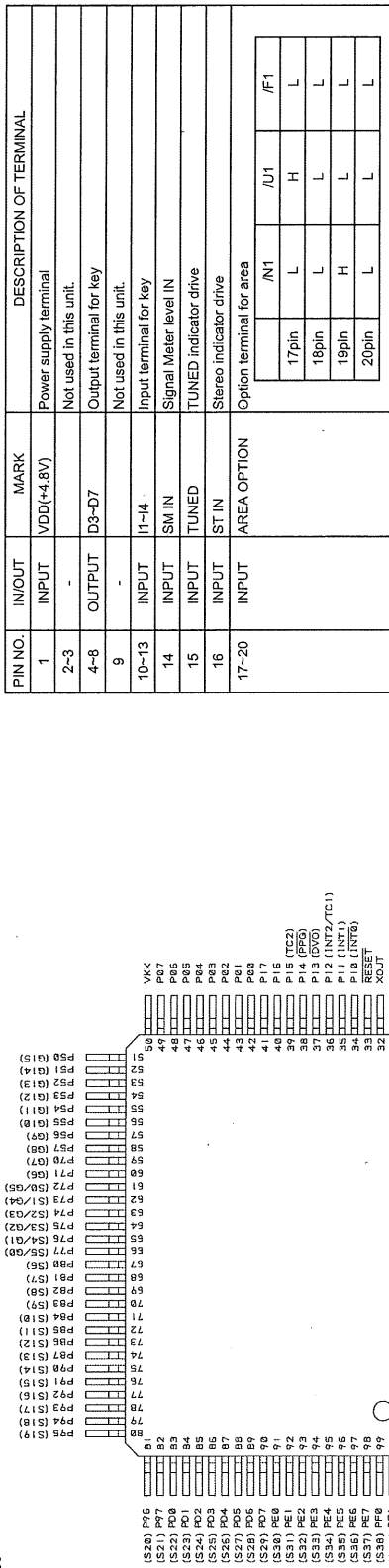
IC31 : LA3401



# 5. MICROPROCESSOR AND IC DATA

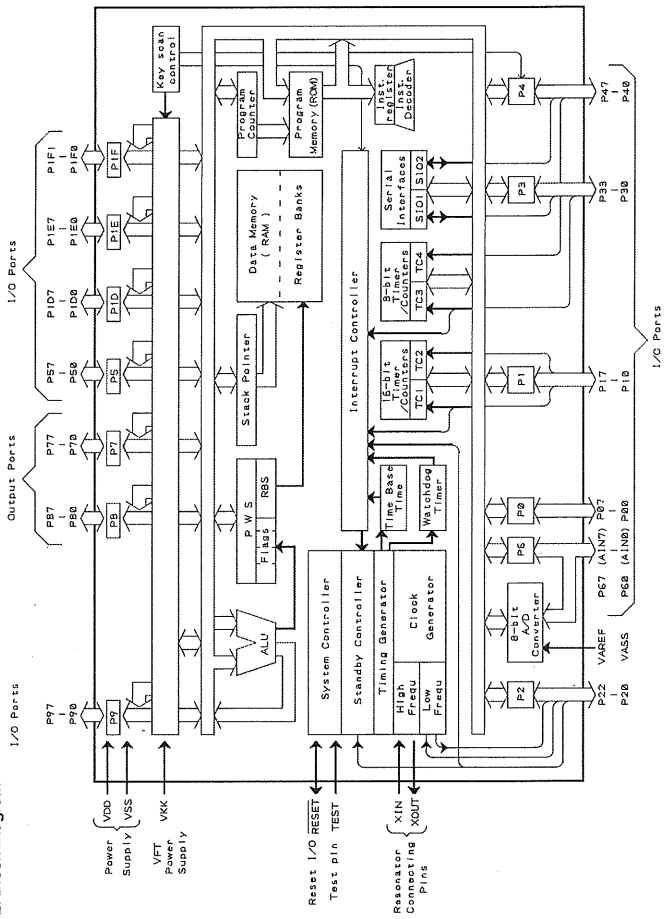
## IC91 : TMP87PM78F

### 1. Pin Configuration



PIN NO.	I/O/UT	MARK	DESCRIPTION OF TERMINAL															
1	INPUT	VDD(+4.8V)	Power supply terminal															
2-3	-	-	Not used in this unit.															
4-8	OUTPUT	D3-D7	Output terminal for key															
9	-	-	Not used in this unit.															
10-13	INPUT	I1-I4	Input terminal for key															
14	INPUT	SM IN	Signal Meter level IN															
15	INPUT	TUNED	TUNED indicator drive															
16	INPUT	ST IN	Stereo indicator drive															
17-20	INPUT	AREA OPTION	Option terminal for area															
<table border="1" style="width: 100%;"> <tr> <td>/N1</td> <td>/U1</td> <td>/F1</td> </tr> <tr> <td>17pin</td> <td>L</td> <td>H</td> </tr> <tr> <td>18pin</td> <td>L</td> <td>L</td> </tr> <tr> <td>19pin</td> <td>H</td> <td>L</td> </tr> <tr> <td>20pin</td> <td>L</td> <td>L</td> </tr> </table>				/N1	/U1	/F1	17pin	L	H	18pin	L	L	19pin	H	L	20pin	L	L
/N1	/U1	/F1																
17pin	L	H																
18pin	L	L																
19pin	H	L																
20pin	L	L																
21	-	-	Not used in this unit.															
22-23	-	GND	Ground terminal															
24	INPUT	VREF	Reference power input terminal															
25	INPUT	VDD	Power supply terminal															
26	INPUT	BACK-UP(CE)	Power supply detection															
27	-	GND	Ground terminal															
28	INPUT	IN	Connecting terminal for crystal oscillator.															
29	OUTPUT	OUT	The crystal connected is 32.768KHz.															
30	-	GND	Ground terminal															
31	INPUT	XIN	Connecting terminal for crystal oscillator.															
32	OUTPUT	XOUT	The crystal connected is 8.00MHz.															
33	INPUT	RESET	System reset terminal															
34-35	INPUT	RMC IN	Remote control input terminal															
36	INPUT	RDS CLOCK	Clock input terminal for RDS															
37	INPUT	RDS DATA	Data input terminal for RDS															
38	OUTPUT	RMC OUT	Remote control output terminal															
39-43	-	-	Not used in this unit.															
44	OUTPUT	MUTE	Mute Control Output															
45	OUTPUT	POWER	Power on/off signal															
46	OUTPUT	PDAO	Data output terminal for PLL IC(LC72131)															
47	OUTPUT	PCE	Chip enable terminal for PLL IC(LC72131)															
48	INPUT	PDAI	Data input terminal for PLL IC(LC72131)															
49	INPUT	PCL	Clock input terminal for PLL IC(LC72131)															
50	INPUT	Vfip	FIP drive voltage input															
51-73	OUTPUT	P01-P23	FIP Anode driver outputs.															
74	-	-	Not used in this unit.															
75-87	OUTPUT	G01-G13	FIP Grde driver outputs.															
88-90	-	-	Not used in this unit.															
91	OUTPUT	POWER LED	Stand-by LED ON/OFF															
92	OUTPUT	ANT A	ANT A LED ON/OFF															
93	OUTPUT	ANT B	ANT B LED ON/OFF															
94	OUTPUT	NARROW	NARROW LED ON/OFF															
95	OUTPUT	WIDE	WIDE LED ON/OFF															
96	-	GND	Not used in this unit.															
97-100	-	-	Ground terminal															

### 2. Block Diagram



## 6. ADJUSTMENT PROCEDURE

### ALIGNMENT INSTRUCTIONS

#### EQUIPMENT NEEDED

- \* AM Signal Generator
- \* FM Signal Generator
- \* Oscilloscope
- \* VTM(AC,DC)
- \* Test loop antenna(MW Adjustment)
- Dummy antenna(FM Adjustment)
- \* Stereo signal modulator
- \* Distortion analyzer

#### IMPORTANT

1. Check power-source voltage.
2. Set the function switch to band aligned.
3. Keep the function input as low as possible to adjust accurately.
4. Modulation and modulation frequency.

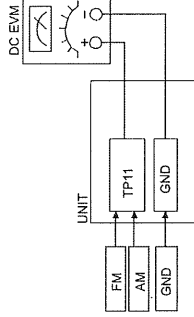
MW/(AM)/LW	Modulation	Modulation Frequency
FM	30%	400Hz
FM	40kHz(EUR)	400Hz
FM	75kHz(USA, JPN)	400Hz

#### FM, MW/LW TRACKING VOLTAGE ADJUSTMENT

##### (FM) DC VOLTMETER

- \* CONNECT TO TEST POINT TP-11 and GND
- (MW/LW) DC VOLTMETER
- \* CONNECT TO TEST POINT TP-11 and GND

NO	Band	Frequency	Adjust for	Adjustment
1	FM	87.50(76.00)MHz	1.6V	L7
2	MW	522/520kHz	1V	L204
3	LW	146kHz	1.3V	L205



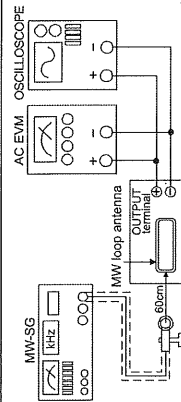
#### MW RF ADJUSTMENT

Signal generator : Connects to the MW Ant.

Coil through the loop antenna.

Adjust for the indication of VTM of the wave form of scope to be maximum.

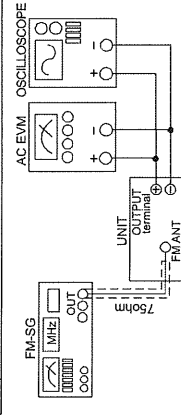
NO	Step	Freq.	Adjust for	Adjustment
MW	1	612/610kHz	Max sensitivity	L202(L203), T201, T202
(AM)	2	1503/1510kHz	Max sensitivity	CT21
	3		Repeat steps 1 and 2 several times.	
LW	1	164kHz	Max sensitivity	L203
	2	272kHz	Max sensitivity	CT22
	3		Repeat steps 1 and 2 several times.	



#### FM-RF ADJUSTMENT

Signal generator: Connects to FM ANT. JACK(FM IN) through the dummy.

NO	Frequency	Adjust for	Adjustment
1	90.10(79.10)MHz	Max sensitivity	L2, L5, L6
2		Repeat step 1 several times	



#### FM MONO DISTORTION ADJUSTMENT

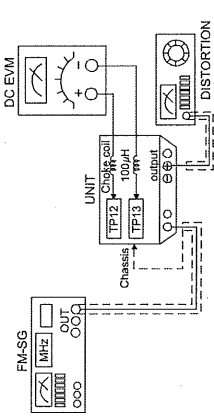
##### DC VOLTMETER

- \* Connect to TP12(-), TP13(+) through the choke coil(100uH).

##### Signal Generator

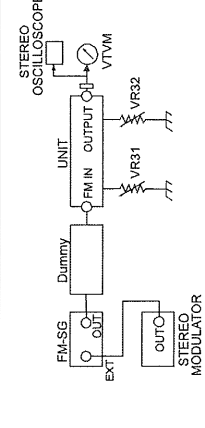
- \* Connect to FM ANT. JACK(FM IN) through the dummy.
- Distortion Meter
- \* Connect to the output.

NO	Frequency	Adjust for	Adjustment
1	100.10(83.10)MHz	DC Voltmeter 0V	T101
2	100.10(83.10)MHz	r min T.H.D	T102
3		Repeat steps 1 and 2 several times	



#### FM STEREO(WIDE/NARROW) SEPARATION

Pilot Signal	Adjust for	Adjustment
ON	Different of R and L must be maximum	VR31 (WIDE) VR32 (NARROW)



#### FM/MW(LW) AUTO STOP LEVEL ADJUSTMENT

FM SIGNAL GENERATOR : Connect to FM ANT. Jack(FM IN) through the dummy

MW SIGNAL GENERATOR : Connect to MW ANT. Coil through Loop antenna

Band	Step	Signal Generator	Adjust for	Adjustment
FM	1	100.10(83.10)MHz	TUNED ON	VR11
FM	2	100.10(83.10)MHz	TUNED OFF	VR11
MW/LW	1	999(1000)kHz	TUNED ON	VR21
(AM)	2	999(1000)kHz	TUNED OFF	VR21

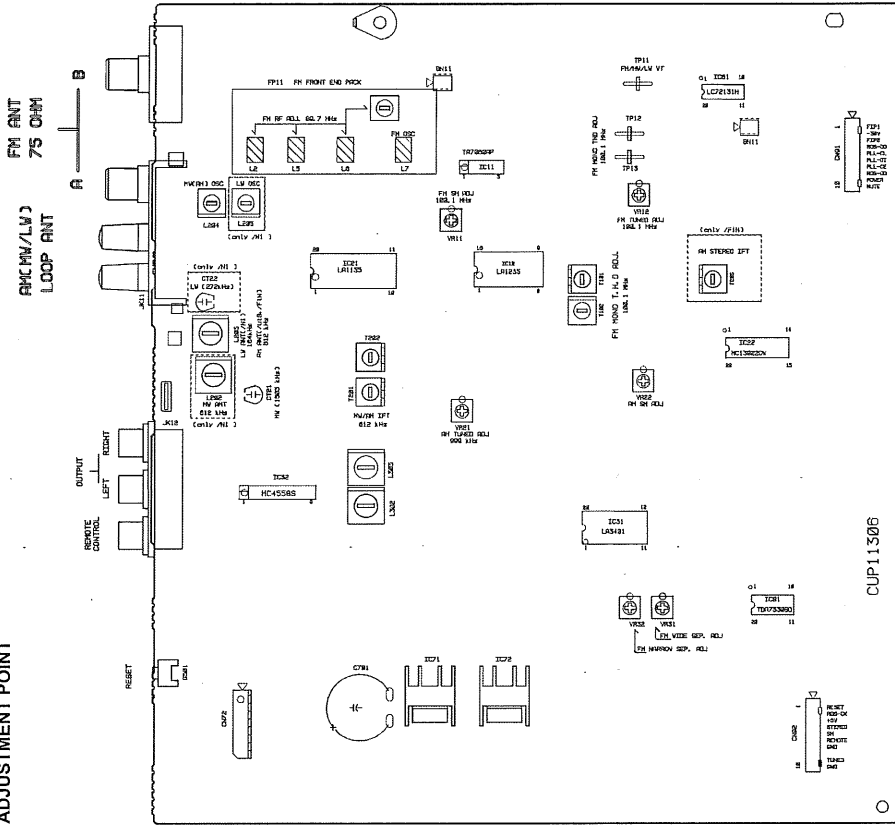
#### FM/MW(AM) SIGNAL METER LEVEL ADJUSTMENT

FM SIGNAL GENERATOR : Connect to FM ANT. Jack(FM IN) through the dummy

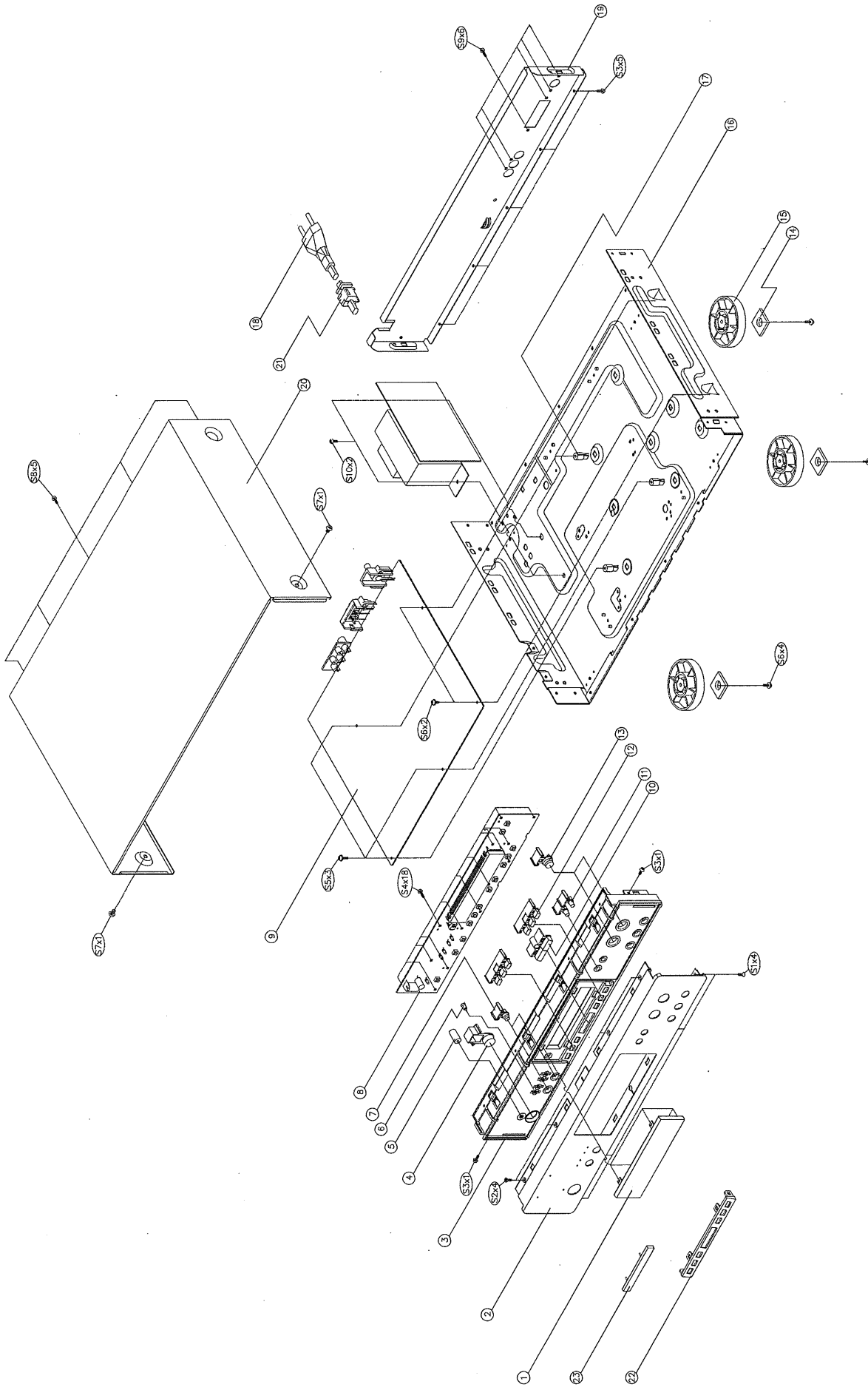
MW SIGNAL GENERATOR : Connect to MW ANT. Coil through Loop antenna

Band	Signal Generator	Adjust for	Adjustment
FM	100.10(83.10)MHz	Signal Level:59-61dB	VR12
FM	66dB	FM(ANT A) IN	
MW	999(1000)kHz	Signal Level:75-80dB	VR22
(AM)	100dB		

#### ADJUSTMENT POINT



7. EXPLODED VIEW AND PARTS LIST



POS. NO	VERS. COLOR	PART NO. (PCS)	DESCRIPTION	PART NO. (MJI)
1		9965 000 01446	WINDOW FIP	282W158010
2	/U1B	nsp	PANEL FRONT (BLACK)	282W248010
2	/N1B	9965 000 01447	PANEL FRONT (BLACK)	282W248020
2	/F1N	nsp	PANEL FRONT (GOLD)	282W248110
2	/N1G	9965 000 01448	PANEL FRONT (GOLD)	282W248120
3	BLK	9965 000 01449	PANEL SUB (BLACK)	282W105010
3	GLD	9965 000 01450	PANEL SUB (GOLD)	282W105110
4	BLK	9965 000 01243	KNOB POWER (BLACK)	281W270010
4	GLD	9965 000 01451	KNOB POWER (GOLD)	281W270110
5		9965 000 01244	INDICATOR	285W355010
6		9965 000 01452	INDICATOR(LED)	282W355010
7	BLK	9965 000 01453	KNOB BAND (BLACK)	282W270040
7	GLD	9965 000 01454	KNOB BAND (GOLD)	282W270140
10		9965 000 01455	KNOB TUNING	282W270010
11	BLK	9965 000 01456	KNOB TIMER (BLACK)	282W270030
11	GLD	9965 000 01457	KNOB TIMER (GOLD)	282W270130
12		9965 000 01458	KNOB MODE	282W270020
13	BLK	9965 000 01459	KNOB PRESET (BLACK)	282W270050
13	GLD	9965 000 01460	KNOB PRESET (GOLD)	282W270150
15		4822 462 11013	FOOT	243W057010
16		nsp	CHASSIS BOTTOM A1-97-0391	nsp
17		nsp	MOUNT PCB A4-92-1728	nsp
▲ 18	N	9965 000 01306	MAINS CORD EUR	*YC000360R
▲ 18	F	nsp	MAINS CORD JPN	*YC000370R
▲ 18	U	nsp	MAINS CORD UL/CSA	*YC000380R
19	/F1N	nsp	PANEL REAR (GOLD)	nsp
19	/U1B	nsp	PANEL REAR (BLACK)	nsp
19	/N1G	nsp	PANEL REAR (GOLD)	nsp
19	/N1B	nsp	PANEL REAR (BLACK)	nsp
20	BLK	nsp	CABINET TOP (BLACK)	nsp
20	GLD	nsp	CABINET TOP (GOLD)	nsp
▲ 21		nsp	BUSHING MAINS CORD	nsp
22		9965 000 01461	ORNAMENT	282W053010
23		4822 454 11825	BADGE MARANTZ	185J251012
<b>PACKING</b>				
S1		nsp	SCREW	nsp
S2		nsp	SCREW	nsp
S3		nsp	SCREW	nsp
S4		nsp	SCREW	nsp
001T	F	nsp	USER GUIDE (JPN)	282W851110
001T	U	nsp	USER GUIDE (USA/CND)	282W851250
001T	N	9965 000 01462	USER GUIDE (EUR)	282W851310
001Z	U/F	nsp	REMOTE CONTROL UNIT RC6000ST	ZK282W0010
<b>NOT STANDARD SPARE PARTS</b>				
		nsp	BOX OUT CARTON	282W801010
		nsp	PAD SNOW	282W809010
	U/N	nsp	BATTERY	nsp
		nsp	CORD PIN (REMOTE)	nsp
		nsp	CORD PIN (STEREO)	nsp
	U/F	nsp	ADAPTOR 300 OHM MATCHING	nsp
	N	nsp	ANT FM WIRE	nsp
	U/F	nsp	ANT FM T	nsp
		nsp	LOOP ANT ASS'Y (LUG)	nsp

## 8.ELECTRICAL PARTS LIST

### ASSIGNMENT OF COMMON PARTS CODES.

#### RESISTORS

R\*\*\* : 1) GD05 x x x 140, Carbon film fixed resistor, ±5% 1/4W  
 R\*\*\* : 2) GD05 x x x 160, Carbon film fixed resistor, ±5% 1/6W

Examples

① Resistance value  
 0.1Ω ..... 001    10 Ω ..... 100    1kΩ ..... 102    100kΩ ..... 104  
 0.5Ω ..... 005    18 Ω ..... 180    2.7kΩ ..... 272    680kΩ ..... 684  
 1Ω ..... 010    100Ω ..... 101    10kΩ ..... 103    1MΩ ..... 105  
 6.8Ω ..... 068    390Ω ..... 391    22kΩ ..... 223    4.7MΩ ..... 475

Note : Please distinguish 1/4W from 1/6W by the shape of parts used actually.

#### CAPACITORS

C\*\*\* : CERAMIC CAP.

3) DD1 x x x x 370, Ceramic capacitor  
 Disc type  
 Temp.coeff. P350~N1000, 50V  
 ③ Capacity value  
 ② Tolerance

Examples

② Tolerance (Capacity deviation)  
 ±0.25 pF ..... 0  
 ±0.5 pF ..... 1  
 ±5 % ..... 5

Tolerance of COMMON PARTS handled here are as follows :

0.5 pF - 5 pF ..... ± 0.25 pF  
 6 pF - 10 pF ..... ± 0.5 pF  
 12 pF - 560 pF ... ± 5 %

③ Capacity value

0.5 pF ..... 005    3 pF ..... 030    100 pF ..... 101  
 1 pF ..... 010    10 pF ..... 100    220 pF ..... 221  
 1.5 pF ..... 015    47 pF ..... 470    560 pF ..... 561

C\*\*\* : CERAMIC CAP.

4) DK16 x x x 300, High dielectric constant ceramic capacitor  
 Disc type  
 Temp.chara. 2B4, 50V  
 ④ Capacity value

Examples

④ Capacity value  
 100 pF ..... 101    1000 pF ..... 102    10000 pF ..... 103  
 470 pF ..... 471    2200 pF ..... 222

C\*\*\* : 5) ELECTROLY CAP. (  ), 6) FILM CAP. (  )

5) EA x x x x x 10, Electrolytic capacitor  
 One-way lead type, Tolerance ±20%  
 ⑥ Working voltage  
 ⑤ Capacity value

Examples

⑤ Capacity value  
 0.1 μF ..... 104    4.7 μF ..... 475    100 μF ..... 107  
 0.33 μF ..... 334    10 μF ..... 106    330 μF ..... 337  
 1 μF ..... 105    22 μF ..... 226    1100 μF ..... 118  
 2200 μF ..... 228

⑥ Working voltage

6.3 V ..... 006    25 V ..... 025  
 10 V ..... 010    35 V ..... 035  
 16 V ..... 016    50 V ..... 050

6) DF15 x x x 350 → Plastic film capacitor  
 DF15 x x x 310 → One-way type, Mylar ±5% 50V  
 DF16 x x x 310 → Plastic film capacitor  
 One-way type, Mylar ±10% 50V

⑦ Capacity value

Examples

⑦ Capacity value  
 0.001 μF (1000 pF) ..... 102    0.1 μF ..... 104  
 0.0018 μF ..... 182    0.56 μF ..... 564  
 0.01 μF ..... 103    1 μF ..... 105  
 0.015 μF ..... 153

**NOTE** 1) The above CODES (R\*\*\*, R\*\*\*, C\*\*\*, C\*\*\* and C\*\*\*) are omitted on the schematic diagram in some case.  
 2) On the occasion, be confirmed the common parts on the parts list.  
 3) Refer to "Common Parts List" for the other common parts (RI05, DD4, DK4).

### NOTE ON SAFETY FOR FUSIBLE RESISTOR :

The suppliers and their type numbers of fusible resistors are as follows ;

1. KOA Corporation

Part No.(MJI)	Type No.(KOA)	Description
NH05 x x x 140	RF25S x x x x Ω	J ± 5% (1/4W)
NH05 x x x 120	RF50S x x x x Ω	J ± 5% (1/2W)
NH85 x x x 110	RF73B2A x x x x Ω	J ± 5% (1/10W)
NH95 x x x 140	RF73B2E x x x x Ω	J ± 5% (1/4W)

\* Resistance value

Resistance value (0.1Ω - 10kΩ)

2. Matsushita Electronic Components Co., Ltd

Part No.(MJI)	Type No.(MEC)	Description
NF05 x x x 140	ERD-2FCJ x x x	(±5% 1/4W)
RF05 x x x 140		
NF02 x x x 140	ERD-2FCG x x x	(±2% 1/4W)
RF02 x x x 140		

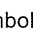
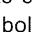
Examples

\* Resistance value  
 0.1Ω ..... 001    10Ω ..... 100    1kΩ ..... 102    100kΩ ..... 104  
 0.5Ω ..... 005    18Ω ..... 180    2.7kΩ ..... 272    680kΩ ..... 684  
 1Ω ..... 010    100Ω ..... 101    10kΩ ..... 103    1MΩ ..... 105  
 6.8Ω ..... 068    390Ω ..... 391    22kΩ ..... 223    4.7MΩ ..... 475

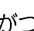
### ABBREVIATION AND MARKS

ANT. : ANTENNA	BATT. : BATTERY
CAP. : CAPACITOR	CER. : CERAMIC
CONN. : CONNECTING	DIG. : DIGITAL
HP : HEADPHONE	MIC. : MICROPHONE
μ-PRO : MICROPROCESSOR	REC. : RECORDING
RES. : RESISTOR	SPK : SPEAKER
SW : SWITCH	TRANSF. : TRANSFORMER
TRIM. : TRIMMING	TRS. : TRANSISTOR
VAR. : VARIABLE	X' TAL : CRYSTAL

### NOTE ON SAFETY:

Symbol  Fire or electrical shock hazard. Only original parts should be used to replaced any part marked with symbol  Any other component substitution ( other than original type), may increase risk of fire or electrical shock hazard.

### 安全上の注意 :

 がついている部品は、安全上重要な部品です。必ず指定されている部品番号の部品を使用して下さい。

POS. NO	VERS. COLOR	PART NO. (PCS)	DESCRIPTION	PART NO. (MJI)	POS. NO	VERS. COLOR	PART NO. (PCS)	DESCRIPTION	PART NO. (MJI)
			<b>SUB CIRCUIT BOARD CAPACITORS</b>		R962		nsp	1k Ω 1/5W	nsp
C901		nsp	CER. 0.1 μF 50V Z	nsp	R963		nsp	47k Ω 1/5W	nsp
C902		nsp	ELECT 1000 μF 6.3V	nsp				<b>SWITCHES</b>	
C903		nsp	CER. 0.1 μF 50V Z	nsp	S911		9965 000 01263	SW TACT	*SP000890R
C911		nsp	CER. 22pF 50V J	nsp	}				
C912		nsp	CER. 15pF 50V J	nsp	S926				
C913		nsp	CER. 12pF 50V J	nsp	S927	N	9965 000 01263	SW TACT	*SP000890R
C914		nsp	CER. 10pF 50V J	nsp	S928		9965 000 01263	SW TACT	*SP000890R
C923		nsp	ELECT 10 μF 35V	nsp				<b>MISCELLANEOUS</b>	
C924		nsp	ELECT 1 μF 50V	nsp	BN72		nsp	WIRE ASS'Y 7P 220 mm	nsp
C925		nsp	CER. 0.1 μF 50V Z	nsp	BN91		nsp	WIRE ASS'Y 10P 200 mm	nsp
C926		nsp	ELECT 22 μF 25V	nsp	BN92		nsp	WIRE ASS'Y 10P 250 mm	nsp
C927		nsp	ELECT 1 μF 50V	nsp	BN93		nsp	WIRE ASS'Y 7P 80 mm	nsp
C929		nsp	CER. 0.01 μF 50V Z	nsp					
			<b>DIODES</b>		▲ CN71		nsp	WAFER 7.92MM(YUNHO)	nsp
D901		4822 130 11608	LED RED SLR342VCF02	*HI100810R	CN93		nsp	WAFER MOLEX 53014-0710	nsp
D902		4822 130 11608	LED RED SLR342VCF02	*HI100810R					
D903		4822 130 11608	LED RED SLR342VCF02	*HI100810R	FIP1		9965 000 01465	FLD HNA-13MS08	*HQ300390R
D905		4822 130 11608	LED RED SLR342VCF02	*HI100810R	▲ F701	N	nsp	HOLDER FUSE	nsp
D906		4822 130 11608	LED RED SLR342VCF02	*HI100810R	▲ F702	U/F	nsp	HOLDER FUSE	nsp
D910									
}		9965 000 01250	1SS131M	*HD201290R					
D914					OP01		nsp	WIRE COPPER	nsp
					OP02		nsp	WIRE COPPER	nsp
					OP03	F	nsp	WIRE COPPER	nsp
					OP04	U/F	nsp	WIRE COPPER	nsp
			<b>INTEGRATED CIRCUIT</b>						
IC91		9965 000 01463	MICROPROCESSOR	*HU100350R					
			TMP87CM78F-xxxx		C930		9965 000 01510	BACK UP CAPACITOR	*EX000050R
IC92		9965 000 01464	VOLTAGE DETECTOR	*HC105150R				0.1F 5.5V EEC50HD104V	
			RE5VL30CA-TZ		RS91	U/F	nsp	IR SENSOR GP1U270R	*HW100420R
					▲ T701	F	nsp	TRANS MAINS (JAPAN)	*TS001110R
								100V 50Hz	
			<b>TRANSISTORS</b>		▲ T701	N/U	9965 000 01466	TRANS MAINS	*TS001120R
Q901		4822 130 62503	DTC114YS	*BA000730R				120/230V 50/60Hz	
Q902		4822 130 62503	DTC114YS	*BA000730R					
Q903		4822 130 62503	DTC114YS	*BA000730R					
Q905		4822 130 62503	DTC114YS	*BA000730R	X901		4822 242 10855	CRYSTAL 8.0 MHz	*JX000410R
Q906		4822 130 62503	DTC114YS	*BA000730R	X902		4822 242 72236	CRYSTAL 32.768 kHz DT-38	XO001001T2
Q911		4822 130 62787	DTA114YS	*BA000190R				<b>MAIN CIRCUIT BOARD CAPACITORS</b>	
Q912		4822 130 62503	DTC114YS	*BA000730R				CER. 15pF 50V J	nsp
Q913		4822 130 60107	2SA933SR	HT109331S0	C101	N	nsp	CER. 15pF 50V J	nsp
Q914		4822 130 62503	DTC114YS	*BA000730R	C102	N	nsp	CER. 15pF 50V J	nsp
					C103	N	nsp	CER. 15pF 50V J	nsp
			<b>RESISTORS</b>		C104		nsp	ELECT 10 μF 35V	nsp
RA91		nsp	100 k Ω x 5 NETWORK	nsp	C107		nsp	CER. 0.01 μF 50V Z	nsp
▲ R751	U	nsp	3.3M Ω 1/2W	nsp	C108		nsp	CER. 15pF 50V J	nsp
R901		nsp	390 Ω 1/5W	nsp	C109		nsp	CER. 0.01 μF 50V Z	nsp
R902		nsp	390 Ω 1/5W	nsp	C110		nsp	CER. 0.01 μF 50V Z	nsp
R903		nsp	390 Ω 1/5W	nsp	C111		nsp	ELECT 10 μF 35V	nsp
R905		nsp	390 Ω 1/5W	nsp	C112		nsp	CER. 0.01 μF 50V Z	nsp
R906		nsp	390 Ω 1/5W	nsp	C113		nsp	CER. 0.01 μF 50V Z	nsp
R908					C114		nsp	CER. 0.01 μF 50V Z	nsp
}		nsp	47k Ω 1/5W	nsp	C115		nsp	ELECT 10 μF 35V	nsp
R912									
R920									
}		nsp	47k Ω 1/5W	nsp					
R923					C117		nsp	CER. 47pF 50V J	nsp
R931		nsp	1M Ω 1/5W	nsp	C118		nsp	CER. 15pF 50V J	nsp
R951		nsp	1.2k Ω 1/5W	nsp	C120		nsp	CER. 0.047 μF 50V Z	nsp
R952		nsp	100k Ω 1/5W	nsp	C121		nsp	CER. 0.047 μF 50V Z	nsp
R953		nsp	390k Ω 1/5W	nsp	C122		nsp	CER. 0.047 μF 50V Z	nsp
R954		nsp	1.2k Ω 1/5W	nsp	C123		nsp	ELECT 2.2 μF 50V	nsp
R955		nsp	100k Ω 1/5W	nsp	C124		nsp	CER. 0.01 μF 50V Z	nsp
R956		nsp	1.2k Ω 1/5W	nsp	C125		nsp	ELECT 1 μF 50V	nsp
R957		nsp	4.7k Ω 1/5W	nsp	C126		nsp	ELECT 0.47 μF 50V	nsp
R958		nsp	22k Ω 1/5W	nsp	C127		nsp	CER. 0.022 μF 50V Z	nsp
R959		nsp	470 Ω 1/5W	nsp	C128		nsp	ELECT 220 μF 16V	nsp
R960		nsp	47k Ω 1/5W	nsp	C131	N	nsp	CER. 0.01 μF 50V Z	nsp
R961		nsp	47k Ω 1/5W	nsp	C132		nsp	CER. 220pF 50V K	nsp
					C133	N	nsp	CER. 100pF 50V K	nsp

POS. NO	VERS. COLOR	PART NO. (PCS)	DESCRIPTION	PART NO. (MJI)	POS. NO	VERS. COLOR	PART NO. (PCS)	DESCRIPTION	PART NO. (MJI)
C134	N	nsp	CER. 100pF 50V K	nsp	C304		nsp	FILM 0.047 μF 50V J	nsp
C135		nsp	CER. 0.01 μF 50V Z	nsp	C305		nsp	CER. 470pF 50V K	nsp
C136		nsp	ELECT 220 μF 16V	nsp	C306		nsp	ELECT 10 μF 35V	nsp
C151		nsp	CER. 0.01 μF 50V Z	nsp	C307		nsp	ELECT 0.1 μF 50V	nsp
C152		nsp	CER. 0.01 μF 50V Z	nsp	C308	N/F	nsp	CER. 560pF 50V K	nsp
C153		nsp	CER. 0.01 μF 50V Z	nsp	C308	U	nsp	CER. 820pF 50V K	nsp
C154		nsp	CER. 0.01 μF 50V Z	nsp	C309	N/F	nsp	CER. 560pF 50V K	nsp
C161		nsp	CER. 0.01 μF 50V Z	nsp	C309	U	nsp	CER. 820pF 50V K	nsp
C162		nsp	ELECT 10 μF 35V	nsp	C310		nsp	ELECT 0.1 μF 50V	nsp
C163		nsp	CER. 0.01 μF 50V Z	nsp	C311		nsp	ELECT 1 μF 50V	nsp
C171	N	nsp	CER. 10pF 50V D	nsp	C312		nsp	ELECT 0.47 μF 50V	nsp
C171	U/F	nsp	CER. 0.01 μF 50V Z	nsp	C313		nsp	ELECT 3.3 μF 50V	nsp
C201		nsp	SEMI 0.1 μF 50V	nsp	C314		nsp	ELECT 1 μF 50V	nsp
C202	N	nsp	CER. 15pF 50V J	nsp	C316	F	nsp	ELECT 2.2 μF 50V	nsp
C203		nsp	FILM 0.047 μF 50V J	nsp	C317	F	nsp	ELECT 2.2 μF 50V	nsp
C204		nsp	ELECT 22 μF 25V	nsp	C318		nsp	ELECT 2.2 μF 50V	nsp
C205		nsp	CER. 0.022 μF 50V Z	nsp	C319		nsp	ELECT 2.2 μF 50V	nsp
C206		nsp	ELECT 3.3 μF 50V	nsp	C320		nsp	ELECT 1 μF 50V	nsp
C207		nsp	CER. 0.022 μF 50V Z	nsp	C321		nsp	ELECT 1 μF 50V	nsp
C208		nsp	CER. 1000pF 50V K	nsp	C322		nsp	ELECT 10 μF 35V	nsp
C209		nsp	SEMI 0.1 μF 50V	nsp	C325		nsp		
C212		nsp	CER. 1000 pF 50V K	nsp	C340		nsp	ELECT 100 μF 16V	nsp
C213		nsp	CER. 1000pF 50V K	nsp	C341		nsp	ELECT 10 μF 35V	nsp
C214		nsp	CER. 0.022 μF 50V Z	nsp	C342		nsp	ELECT 1 μF 50V	nsp
C215		nsp	ELECT 4.7 μF 50V	nsp	C343		nsp	CER. 330pF 50V K	nsp
C216		nsp	ELECT 3.3 μF 50V	nsp	C347	F	nsp	ELECT 100 μF 16V	nsp
C217		nsp	CER. 1000pF 50V K	nsp	C351		9965 000 01469	ELECT 2.2 μF 50V(N.P)	EQ22505030
C218		nsp	CER. 10pF 50V D	nsp	C601		nsp	ELECT 470 μF 10V	nsp
C219		nsp	CER. 470pF 50V K	nsp	C602		nsp	CER. 0.01 μF 50V Z	nsp
C220	N	nsp	CER. 100pF 50V K	nsp	C603		nsp	CER. 27pF 50V J	nsp
C221		nsp	CER. 0.022 μF 50V Z	nsp	C604		nsp	CER. 27pF 50V J	nsp
C222		nsp	ELECT 220 μF 16V	nsp	C605		nsp	CER. 0.01 μF 50V Z	nsp
C223	N	nsp	CER. 330pF 50V K	nsp	C611		nsp	ELECT 1 μF 50V	nsp
C224		nsp	CER. 0.047 μF 50V Z	nsp	C612		nsp	ELECT 0.1 μF 50V	nsp
C225	N	nsp	CER. 0.047 μF 50V Z	nsp	C621		nsp		
C226		nsp	ELECT 1 μF 50V	nsp			nsp	CER. 100pF 50V K	nsp
C227		nsp	CER. 0.022 μF 50V Z	nsp	C624		nsp		
C228		nsp	ELECT 1 μF 50V	nsp	▲ C701		nsp	ELECT 3300 μF 35V	nsp
C230	F	nsp	CER. 1000pF 50V K	nsp	C702		nsp		
C231	F	nsp	ELECT 100 μF 16V	nsp			nsp	ELECT 220 μF 35V	nsp
C232	F	nsp	CER. 0.022 μF 50V Z	nsp	C705		nsp		
C233		nsp		nsp	C706		nsp	CER. 680pF 50V K	nsp
C236	F	nsp	CER. 1000pF 50V K	nsp	C707		nsp	CER. 680pF 50V K	nsp
C237	F	nsp	CER. 0.01 μF 50V Z	nsp	C708		nsp	CER. 680pF 50V K	nsp
C238	F	nsp	ELECT 10 μF 35V	nsp	C709		nsp	ELECT 47 μF 50V	nsp
C239	F	nsp	ELECT 10 μF 35V	nsp	C710		nsp	CER. 680pF 50V K	nsp
C240	F	nsp	ELECT 0.47 μF 50V	nsp	C711		nsp	CER. 680pF 50V K	nsp
C241	F	nsp	ELECT 10 μF 35V	nsp	C712		nsp	ELECT 47 μF 50V	nsp
C242	F	nsp	ELECT 1 μF 50V	nsp	C713		nsp	ELECT 47 μF 50V	nsp
C243	F	nsp	SEMI 0.1 μF 50V	nsp	C714		nsp	ELECT 3.3 μF 50V	nsp
C245	F	nsp	CER. 56pF 50V J	nsp	C715		nsp	CER. 680pF 50V K	nsp
C246	F	nsp	CER. 0.01 μF 50V Z	nsp	C720		nsp	CER. 0.022 μF 50V Z	nsp
C247	F	nsp	ELECT 1 μF 50V	nsp	C801	N	nsp	ELECT 220 μF 16V	nsp
C248	F	nsp	ELECT 47 μF 25V	nsp	C802	N	nsp	CER. 0.01 μF 50V Z	nsp
C251	F	nsp	ELECT 0.22 μF 50V	nsp	C805	N	nsp	ELECT 10 μF 35V	nsp
C252	F	nsp	ELECT 0.22 μF 50V	nsp	C806	N	nsp	CER. 0.01 μF 50V Z	nsp
C253	F	nsp	ELECT 2.2 μF 50V	nsp	C808	N	nsp	CER. 27pF 50V J	nsp
C254	F	nsp	ELECT 2.2 μF 50V	nsp	C809	N	nsp	CER. 27pF 50V J	nsp
C255	F	nsp	FILM 0.047 μF 50V J	nsp	C810	N	nsp	CER. 100pF 50V K	nsp
C256	F	nsp	FILM 0.047 μF 50V J	nsp	C811	N	nsp	CER. 100pF 50V K	nsp
C257	F	nsp	ELECT 2.2 μF 50V	nsp				<b>FILTERS</b>	
C258	F	nsp	ELECT 2.2 μF 50V	nsp	CF11		9965 000 01467	FILTER CER.(FM) SFE107MX2H-A-T	*FF100260R
C261	F	nsp	ELECT 3.3 μF 50V	nsp	CF12		9965 000 01468	FILTER CER.(FM) SFE107MZ2H-A-T	*FF100270R
C301		nsp	ELECT 220 μF 16V	nsp	CF13		9965 000 01468	FILTER CER.(FM) SFE107MZ2H-A-T	*FF100270R
C302	N	nsp	FILM 0.015 μF 50V J	nsp					
C302	U	nsp	FILM 0.033 μF 50V J	nsp					
C303		9965 000 01469	ELECT 2.2 μF 50V(N.P)	EQ22505030					



POS. NO	VERS. COLOR	PART NO. (PCS)	DESCRIPTION	PART NO. (MJI)	POS. NO	VERS. COLOR	PART NO. (PCS)	DESCRIPTION	PART NO. (MJI)
CF14		9965 000 01468	FILTER CER.(FM) SFE107MZ2H-A-T	*FF100270R	Q302		4822 130 63659	DTC143TS	*BA000700R
					Q303		4822 130 63659	DTC143TS	*BA000700R
					Q304		4822 130 61187	DTA144TS	BA10009210
					Q306		4822 130 42594	DTC144ES	BA20012210
D101		9965 000 01250	<b>DIODES</b> 1SS131M	*HD201290R	Q308		4822 130 63659	DTC143TS	*BA000700R
D102		9965 000 01250	1SS131M	*HD201290R	Q309		4822 130 63659	DTC143TS	*BA000700R
D103		4822 130 30621	1N4148	QP13030621	Q501		4822 130 62787	DTA114YS	*BA000190R
D111		9965 000 01250	1SS131M	*HD201290R	Q502		4822 130 61188	DTC144TS	BA20016210
D112		9965 000 01250	1SS131M	*HD201290R	Q601		4822 130 62787	DTA114YS	*BA000190R
D113		9965 000 01250	1SS131M	*HD201290R	Q602		4822 130 62787	DTA114YS	*BA000190R
D201		4822 130 82772	SVC321SPA-C-2	*HD400150R	▲Q701		4822 130 11136	KTA1274Y	*HT100320R
D202	N	9965 000 01250	1SS131M	*HD201290R	Q702		4822 130 61188	DTC144TS	BA20016210-
D203	N	9965 000 01250	1SS131M	*HD201290R					
D205		4822 130 30621	1N4148	QP13030621				<b>RESISTORS</b>	
D206		4822 130 30621	1N4148	QP13030621	R101		nsp	47 Ω 1/5W	nsp
D301		4822 130 30621	1N4148	QP13030621	R104	N/U	nsp	5.6k Ω 1/5W	nsp
D302		9965 000 01250	1SS131M	*HD201290R	R105	N/U	nsp	6.8k Ω 1/5W	nsp
D501		9965 000 01250	1SS131M	*HD201290R	R106		nsp	150 Ω 1/5W	nsp
D601		9965 000 01250	1SS131M	*HD201290R	R108		nsp	6.8k Ω 1/5W	nsp
D602		9965 000 01250	1SS131M	*HD201290R	R109		nsp	10k Ω 1/5W	nsp
D603		4822 130 30621	1N4148	QP13030621	R110		nsp	330 Ω 1/5W	nsp
▲D701					R111		nsp	1k Ω 1/5W	nsp
§					R112		nsp	820 Ω 1/5W	nsp
▲D705		4822 130 31878	1N4003	HD200010AR	R113		nsp	220 Ω 1/5W	nsp
▲D710		4822 130 31878	1N4003	HD200010AR	R114		nsp	27k Ω 1/5W	nsp
▲D711		4822 130 31878	1N4003	HD200010AR	R115		nsp	18k Ω 1/5W	nsp
▲D712		9965 000 01470	ZENER 30V 1/2W	*HD301440R	R116		nsp	6.8k Ω 1/5W	nsp
▲D713		9965 000 01471	ZENER 6.8V 1/2W	*HD301720R	R117		nsp	3.3k Ω 1/5W	nsp
D801	N	4822 130 30621	1N4148	QP13030621	R118		nsp	330 Ω 1/5W	nsp
D802		9965 000 01250	1SS131M	*HD201290R	R119		nsp	330 Ω 1/5W	nsp
D803		9965 000 01250	1SS131M	*HD201290R					
			<b>INTEGRATED CIRCUITS</b>		R120		nsp	1k Ω 1/5W	nsp
IC11		9965 000 01476	IC TA7060AP	*HC105160R	R122		nsp	1k Ω 1/5W	nsp
IC12		4822 209 73726	IC LA1235	*HC105130R	R123		nsp	2.7k Ω 1/5W	nsp
IC21		4822 209 63917	IC LA1135	*HC105120R	R125		nsp	150 Ω 1/5W	nsp
IC22	F	nsp	IC MC13022DW	*HC105140R	R126		nsp	5.6k Ω 1/5W	nsp
IC31		4822 209 73434	IC LA3401	*HC105050R	R127		nsp	330 Ω 1/5W	nsp
IC32		9965 000 01402	IC MC4558S	*HC104120R	R130		nsp	10k Ω 1/5W	nsp
IC33	F	5322 209 10357	IC HEF4066BP	QQ20910357	R131		nsp	22k Ω 1/5W	nsp
IC61		4822 209 15778	IC LC72131M	*HC104820R	R132		nsp	2.7k Ω 1/5W	nsp
▲IC71		4822 209 91033	IC KA7815-ABTU	*HC300220R	R133		nsp	2.7k Ω 1/5W	nsp
▲IC72		4822 209 90086	IC KA7805-ABTU	*HC300210R	R134		nsp	22k Ω 1/5W	nsp
IC81	N	4822 209 33842	IC TDA7330B	*HC105170R	R151		nsp	6.8k Ω 1/5W	nsp
			<b>TRANSISTORS</b>		R152		nsp	6.8k Ω 1/5W	nsp
Q101		4822 130 62503	DTC114YS	*BA000730R	R153		nsp	3.3k Ω 1/5W	nsp
Q102		4822 130 61187	DTA144TS	BA10009210	R155		nsp	150k Ω 1/5W	nsp
Q103		4822 130 61187	DTA144TS	BA10009210	R156		nsp	10k Ω 1/5W	nsp
Q104					R158		nsp	5.6k Ω 1/5W	nsp
§					R160		nsp	1k Ω 1/5W	nsp
Q107		4822 130 63385	KTC31920	*HT300480R	R161		nsp	1k Ω 1/5W	nsp
Q111		4822 130 62787	DTA114YS	*BA000190R	R162		nsp	680 Ω 1/5W	nsp
Q112		4822 130 62787	DTA114YS	*BA000190R	R163		nsp	220 Ω 1/5W	nsp
Q113		4822 130 62503	DTC114YS	*BA000730R	R164		nsp	27k Ω 1/5W	nsp
Q201		9965 000 01472	FET 2SK715	*HF200250R	R165		nsp	18k Ω 1/5W	nsp
Q202		4822 130 63485	KTC3198Y	*HT300690R					
Q203	N	4822 130 62503	DTC114YS	*BA000730R	R201		nsp	1M Ω 1/5W	nsp
Q204	N	4822 130 61189	DTC114TS	BA20017210	R202		nsp	1k Ω 1/5W	nsp
Q205	N	4822 130 61189	DTC114TS	BA20017210	R203		nsp	100k Ω 1/5W	nsp
Q206	N	4822 130 62503	DTC114YS	*BA000730R	R204		nsp	68 Ω 1/5W	nsp
Q207	N	4822 130 61189	DTC114TS	BA20017210	R205		nsp	68 Ω 1/5W	nsp
Q208	N	4822 130 61189	DTC114TS	BA20017210	R206		nsp	330 Ω 1/5W	nsp
Q209		4822 130 61189	DTC114TS	BA20017210	R207		nsp	68 Ω 1/5W	nsp
Q210		4822 130 61188	DTC144TS	BA20016210	R208		nsp	10k Ω 1/5W	nsp
Q211	F	4822 130 42594	DTC144ES	BA20012210	R209		nsp	10k Ω 1/5W	nsp
Q212	F	4822 130 63485	KTC3198Y	*HT300690R	R210		nsp	1k Ω 1/5W	nsp
Q213	F	4822 130 63485	KTC3198Y	*HT300690R	R211	N	nsp	1k Ω 1/5W	nsp
Q301		4822 130 62503	DTC114YS	*BA000730R	R212	N	nsp	2.2k Ω 1/5W	nsp
					R213		nsp	150 Ω 1/5W	nsp
					R214	N	nsp	2.2k Ω 1/5W	nsp

POS. NO	VERS. COLOR	PART NO. (PCS)	DESCRIPTION	PART NO. (MJI)	POS. NO	VERS. COLOR	PART NO. (PCS)	DESCRIPTION	PART NO. (MJI)
R215	N	nsp	4.7k Ω 1/5W	nsp	R345		nsp	2.2k Ω 1/5W	nsp
R216	N	nsp	10k Ω 1/5W	nsp	R346		nsp	100 Ω 1/5W	nsp
R217	U	nsp	39k Ω 1/5W	nsp	R351		nsp	47k Ω 1/5W	nsp
R217	N	nsp	91k Ω 1/5W	nsp	R352		nsp	47k Ω 1/5W	nsp
R218		nsp	5.6k Ω 1/5W	nsp	R501		nsp	100k Ω 1/5W	nsp
R220		nsp	2.2k Ω 1/5W	nsp	R502		nsp	10k Ω 1/5W	nsp
R221		nsp	22k Ω 1/5W	nsp	R511		nsp	10k Ω 1/5W	nsp
R222		nsp	47k Ω 1/5W	nsp	R601				
R223		nsp	27k Ω 1/5W	nsp	}		nsp	10k Ω 1/5W	nsp
R230	F	nsp	10k Ω 1/5W	nsp	R604				
R231	F	nsp	150 Ω 1/5W	nsp	R605		nsp	1k Ω 1/5W	nsp
R232	F	nsp	12k Ω 1/5W	nsp	R611		nsp	1k Ω 1/5W	nsp
R233	F	nsp	100k Ω 1/5W	nsp	R612		nsp	2.2k Ω 1/5W	nsp
R235	F	nsp	2.2k Ω 1/5W	nsp	R613		nsp	18k Ω 1/5W	nsp
R236	F	nsp	2.2k Ω 1/5W	nsp	R615		nsp	10k Ω 1/5W	nsp
R237	F	nsp	10k Ω 1/5W	nsp	R616		nsp	10k Ω 1/5W	nsp
R251	F	nsp	10k Ω 1/5W	nsp	R617		nsp	4.7k Ω 1/5W	nsp
R252	F	nsp	10k Ω 1/5W	nsp	R618		nsp	150 Ω 1/5W	nsp
R253	F	nsp	150k Ω 1/5W	nsp	▲ R701		4822 053 10109	10 Ω 1W J METAL	GA05100010
R254	F	nsp	150k Ω 1/5W	nsp	▲ R702		4822 053 10479	47 Ω 1W J METAL	GA05470010
R255	F	nsp	10k Ω 1/5W	nsp	R703		nsp	18k Ω 1/5W	nsp
					R704		nsp	4.7k Ω 1/5W	nsp
R256	F	nsp	10k Ω 1/5W	nsp	R711		nsp	47k Ω 1/5W	nsp
R257	F	nsp	3.9k Ω 1/5W	nsp	R712		nsp	330 Ω 1/5W	nsp
R258	F	nsp	3.9k Ω 1/5W	nsp	R713		nsp	10 Ω 1/5W	nsp
R259	F	nsp	680 Ω 1/5W	nsp	R714		nsp	47k Ω 1/5W	nsp
R260	F	nsp	680 Ω 1/5W	nsp	R715		nsp	4.7 Ω 1/5W	nsp
R261	F	nsp	47 Ω 1/5W	nsp	R716		nsp	4.7 Ω 1/5W	nsp
R301		nsp	150 Ω 1/5W	nsp	R801	N	nsp	150 Ω 1/5W	nsp
R302		nsp	3.9k Ω 1/5W	nsp	R802	N	nsp	1M Ω 1/5W	nsp
R303		nsp	3.3k Ω 1/5W	nsp					
R304		nsp	3.3k Ω 1/5W	nsp	VR11		9965 000 01270	TRIM. EVNDJAA03B15	*RA000930R
R306		nsp	91k Ω 1/5W	nsp	VR12		9965 000 01473	TRIM. EVNDJAA03B14	*RA000880R
R307		nsp	91k Ω 1/5W	nsp	VR21		9965 000 01473	TRIM. EVNDJAA03B14	*RA000880R
R308		nsp	10k Ω 1/5W	nsp	VR22		9965 000 01270	TRIM. EVNDJAA03B15	*RA000930R
R309		nsp	10k Ω 1/5W	nsp	VR31		9965 000 01270	TRIM. EVNDJAA03B15	*RA000930R
R310		nsp	150k Ω 1/5W	nsp	VR32		9965 000 01270	TRIM. EVNDJAA03B15	*RA000930R
R311		nsp	150k Ω 1/5W	nsp					
R312		nsp	3.3k Ω 1/5W	nsp					
R313		nsp	3.3k Ω 1/5W	nsp	▲ F701	N	4822 070 12001	T 200 mA 250V	*FS000590R
R315		nsp	1k Ω 1/5W	nsp	▲ F702	F	4822 070 12001	T 200 mA 250V	*FS000590R
R316		nsp	47k Ω 1/5W	nsp	▲ F702	U	nsp	T 200 mA 250V	*FS000600R
R317		nsp	47k Ω 1/5W	nsp					
R318		nsp	47k Ω 1/5W	nsp					
R319		nsp	100k Ω 1/5W	nsp					
R320		nsp	100k Ω 1/5W	nsp	L101	N	nsp	COIL	nsp
					L133	N	4822 157 11873	COIL 18 mH	*LC107220R
R321		nsp	150 Ω 1/5W	nsp	L202	N	9965 000 01480	COIL MW ANT	*LA000130R
R322		nsp	3.3k Ω 1/5W	nsp	L203	N	9965 000 01481	COIL LW ANT	*LA000120R
R323		nsp	3.3k Ω 1/5W	nsp	L203	U/F	nsp	COIL AM ANT2	*TC000360R
R324		nsp	100k Ω 1/5W	nsp	L204		9965 000 01482	COIL AM OSC	*LO000080R
R325		nsp	100k Ω 1/5W	nsp	L205	N	9965 000 01483	COIL LW OSC	*LO000070R
R326	U/F	nsp	2.7k Ω 1/5W	nsp	L206		9965 000 01484	COIL 5.4 mH	*LC107260R
R326	N	nsp	5.6k Ω 1/5W	nsp	L207		nsp	COIL AXAIL 27 μH J	nsp
R327	U/F	nsp	2.7k Ω 1/5W	nsp	L302		4822 157 11487	COIL MPX	*LS000060R
R327	N	nsp	5.6k Ω 1/5W	nsp	L303		4822 157 11487	COIL MPX	*LS000060R
R328		nsp	100 Ω 1/5W	nsp	L701		9965 000 01235	COIL INDUCTOR 100 μH	*TC000350R
R329		nsp	100 Ω 1/5W	nsp					
R330		nsp	1k Ω 1/5W	nsp	S501		4822 276 14107	SWITCH SW TACT	*SP000880R
R331		nsp	1k Ω 1/5W	nsp					
R332		nsp	100k Ω 1/5W	nsp					
R333		nsp	100k Ω 1/5W	nsp					
R334		nsp	100 Ω 1/5W	nsp	BN11		nsp	MISCELLANEOUS WIRE ASS'Y	nsp
R335		nsp	100 Ω 1/5W	nsp	BPF1	N	9965 000 01474	BPF	*FF100240R
R340		nsp	330 Ω 1/5W	nsp					
R341		nsp	10k Ω 1/5W	nsp	CF22		9965 000 01475	FILTER CER. SFG450E	*FF100280R
R342		nsp	10k Ω 1/5W	nsp	CN72		nsp	WAFER MOLEX 5267-07A	nsp
R343		nsp	1k Ω 1/5W	nsp	CN91		nsp	WAFER	nsp
R344		nsp	100k Ω 1/5W	nsp	CN92		nsp	WAFER	nsp
					CT21		4822 125 11116	CAP VARIABLE	*CT000110R

POS. NO	VERS. COLOR	PART NO. (PCS)	DESCRIPTION	PART NO. (MJI)
CT22	N	4822 125 11116	CAP VARIABLE	*CT000110R
FP11	N/U	9965 000 01266	PACK FM FTA4460H	*AV000060R
FP11	F	nsp	PACK FM (JAPAN) FTA4508HJ	*AV000090R
JK11		9965 000 01477	TREMINAL,ANT (T/C 75 OHM)	*YT001630R
JK12		9965 000 01478	JACK 3P(R/W/O) DJB-573(NI)	*YT001840R
JK13		9965 000 01479	TERMINAL FM ANT (75 OHM)	*YT001830R
JW12		nsp	WIRE ASS'Y	nsp
TP11		nsp	WIRE COPPER	nsp
TP12		nsp	WIRE COPPER	nsp
TP13		nsp	WIRE COPPER	nsp
T101		9965 000 01485	IFT FM1	*LI000110R
T102		9965 000 01486	IFT FM2	*LI000120R
T201		9965 000 01487	IFT AM1	*LI000090R
T202		9965 000 01488	IFT AM2	*LI000100R
T203	F	nsp	IFT AM	*LI000080R
X201		4822 242 82242	RESONATOR LZU450C4N	*FF100190R
X202	F	nsp	RESONATOR CSA3.60MGF103	FQ03604020
X301		4822 242 11061	RESONATOR ZTB456F11	*FQ000390R
X601		4822 242 72333	CRYSTAL 7.2 MHz	JX07001261
X801	N	4822 242 11042	CRYSTAL 4.332 MHz	*JX000540R