

Service Manual

ST6000/N1B, /N1G
/U1B, /F1N
Tuner

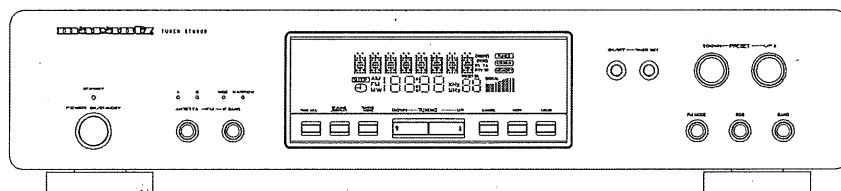


TABLE OF CONTENTS

1.	TECHNICAL SPECIFICATIONS	1
2.	WIRING DIAGRAM	2
3.	BLOCK DIAGRAM	3
4.	SCHEMATIC DIAGRAM AND PARTS LOCATION	7
5.	MICROPROCESSOR AND IC DATA	19
6.	ADJUSTMENT PROCEDURE	21
7.	EXPLODED VIEW AND PARTS LIST	23
8.	ELECTRICAL PARTS LIST	26

Please use this service manual with referring to the user guide (D.F.U) without fail.
修理の際は、必ず取扱説明書を準備し操作方法を確認の上作業を行って下さい。

marantz®

- ST6000 -

282W855010 AO
3120 785 22160
First Issue:1999.09

ST6000

MARANTZ DESIGN AND SERVICE

Using superior design and selected high grade components, **MARANTZ** company has created the ultimate in stereo sound. Only original **MARANTZ** parts can insure that your **MARANTZ** product will continue to perform to the specifications for which it is famous.

Parts for your **MARANTZ** equipment are generally available to our National Marantz Subsidiary or Agent.

ORDERING PARTS :

Parts can be ordered either by mail or by Fax.. In both cases, the correct part number has to be specified.

The following information must be supplied to eliminate delays in processing your order :

1. Complete address
2. Complete part numbers and quantities required
3. Description of parts
4. Model number for which part is required
5. Way of shipment
6. Signature : any order form or Fax. must be signed, otherwise such part order will be considered as null and void.

<p>USA MARANTZ AMERICA, INC. 440 MEDINAH ROAD ROSELLE, ILLINOIS 60172 USA PHONE : 630 - 307 - 3100 FAX : 630 - 307 - 2687</p>	<p>EUROPE / TRADING MARANTZ EUROPE B.V. P.O.BOX 80002, BUILDING SFF2 5600 JB EINDHOVEN THE NETHERLANDS PHONE : +31 - 40 - 2732241 FAX : +31 - 40 - 2735578</p>	<p>BRAZIL MARANTZ BRAZIL CAIXA POSTAL 21462 CEP 04698-970 SAO PAULO, SP, BRAZIL PHONE : 0800 - 123123(Discagem Direta Gratuita) FAX : +55 11 534. 8988</p>
<p>PROFESSIONAL AMERICAS SUPERSCOPE TECHNOLOGIES, INC. MARANTZ PROFESSIONAL PRODUCTS 2640 WHITE OAK CIRCLE, SUITE A AURORA, ILLINOIS 60504 USA PHONE : 630 - 820 - 4800 FAX : 630 - 820 - 8103</p>	<p>CANADA LENBROOK INDUSTRIES LIMITED 633 GRANITE COURT, PICKERING, ONTARIO L1W 3K1 CANADA PHONE : 905 - 831 - 6333 FAX : 905 - 831 - 6936</p>	
<p>AUSTRALIA JAMO AUSTRALIA PTY LTD 1 EXPO COURT, P.O. BOX 350 MT. WAVERLEY VIC 3149 AUSTRALIA PHONE : +61 - 3 - 9543 - 1522 FAX : +61 - 3 - 9543 - 3677</p>	<p>THAILAND MRZ STANDARD CO.,LTD 746 - 754 MAHACHAI ROAD., WANGBURAPAPIROM, PHRANAKORN, BANGKOK, 10200 THAILAND PHONE : +66 - 2 - 222 9181 FAX : +66 - 2 - 224 6795</p>	<p>SINGAPORE WO KEE HONG (S) PTE LTD WO KEE HONG CENTRE NO.23, LORONG 8, TOA PAYOH SINGAPORE 319257 PHONE : +65 2544555 FAX : +65 2502213</p>
	<p>TAIWAN PAI- YUING CO., LTD. 6 TH FL NO, 148 SUNG KIANG ROAD, TAIPEI, 10429, TAIWAN R.O.C. PHONE : +886 - 2 - 25221304 FAX : +886 - 2 - 25630415</p>	<p>MALAYSIA WO KEE HONG ELECTRONICS SDN. BHD. NO. 102 JALAN SS 21/35, DAMANSARA UTAMA, 47400 PETALING JAYA SELANGOR DARUL EHSAN, MALAYSIA PHONE : +60 3 - 7184666 FAX : +60 3 - 7173828</p>
<p>JAPAN Technical MARANTZ JAPAN, INC. 35- 1, 7- CHOME, SAGAMIONO SAGAMIHARA - SHI, KANAGAWA JAPAN 228-8505 PHONE : +81 42 748 1013 FAX : +81 42 748 9190</p>	<p>日本マランツ株式会社 本社 〒228-8505 神奈川県相模原市相模大野7-35-1 営業本部 〒150-0022 東京都渋谷区恵比寿南1-11-9</p>	<p>KOREA MK ENTERPRISES LTD. ROOM 604/605, ELECTRO-OFFICETEL, 16-58, 3GA, HANGANG-RO, YONGSAN-KU, SEOUL KOREA PHONE : +822 - 3232 - 155 FAX : +822 - 3232 - 154</p>

SHOCK, FIRE HAZARD SERVICE TEST :

CAUTION : After servicing this appliance and prior to returning to customer, measure the resistance between either primary AC cord connector pins (with unit NOT connected to AC mains and its Power switch ON), and the face or Front Panel of product and controls and chassis bottom.

Any resistance measurement less than 1 Megohms should cause unit to be repaired or corrected before AC power is applied, and verified before it is return to the user/customer.

Ref. UL Standard No. 1492.

In case of difficulties, do not hesitate to contact the Technical Department at above mentioned address.

1. TECHNICAL SPECIFICATION

FM Section

- Frequency Range 87.50MHz-108.00MHz(50kHz steps)
87.50MHz-108.00MHz(50kHz steps)
76.00MHz-90.00MHz(50kHz steps)
- Usable Sensitivity (HF) Mono : 10dB
- Frequency Response 20Hz-15kHz
+0.5 ~ -3.0dB
- T.H.D (at 65dB, 1kHz) Mono : 0.1%
Stereo : 0.2%
- Signal-to-Noise Ratio (at 65dB, 1kHz) Mono : 70dB
Stereo : 65dB
- AM Suppression Ratio 60dB
- Stereo Separation (1kHz) 40dB

General

- Power Requirements AC 230V, 50Hz (/N1)
AC 120V, 60Hz (/U1)
AC 100V, 50Hz/60Hz (/F1)
- Power Consumption 8W
- Dimensions (WxHxD) 440x96x31mm
- Weight (net) 3.8Kg

MW Section

- Frequency Range 522kHz-1622kHz (9kHz step)
520kHz-1710kHz (10kHz step)
- Usable Sensitivity (SIN 20dB) 55dBm
- Image Response Ratio 35dB
- T.H.D (400Hz) 0.8%
- Signal-to-Noise Ratio 40dB (at 85dB/m)

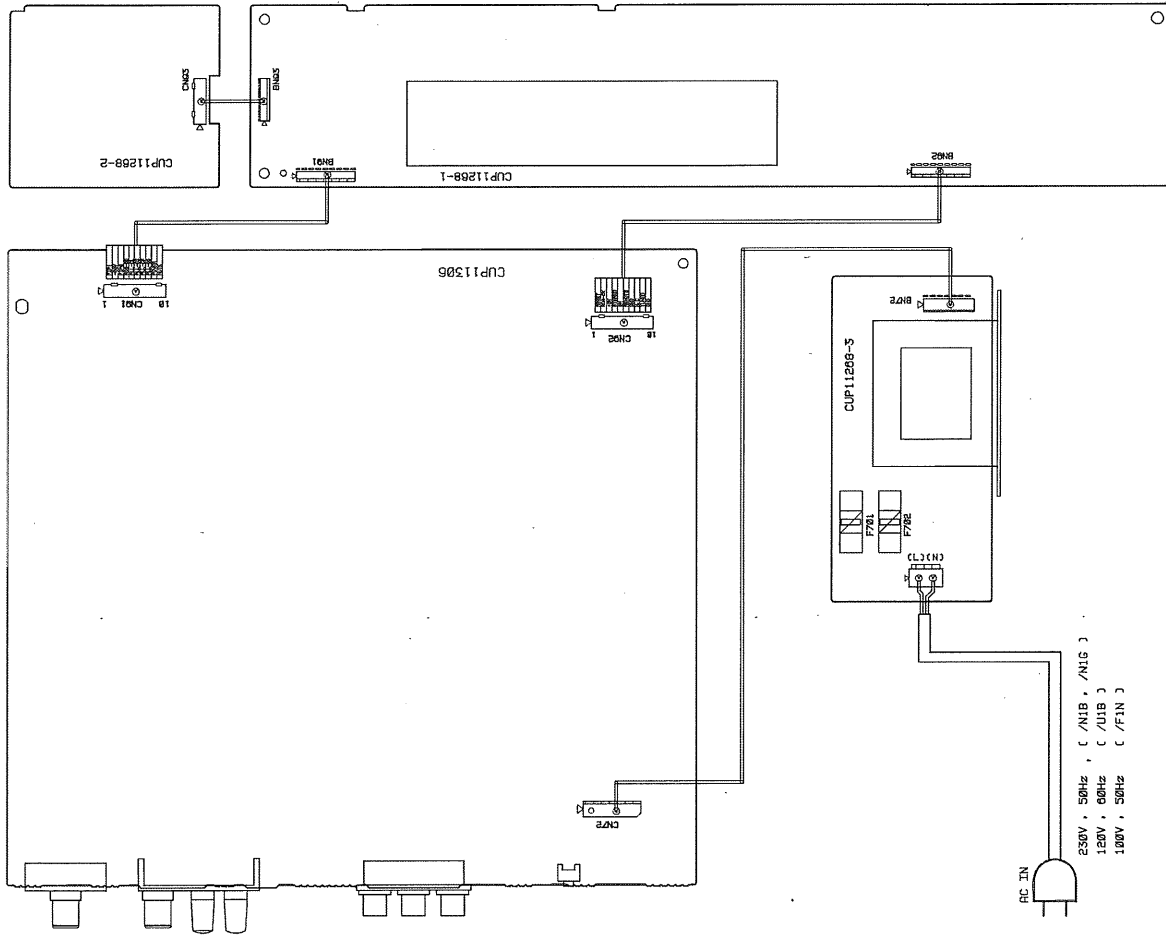
LW Section (N1 only)

- Frequency Range 146kHz-290kHz (1kHz step)
- Usable Sensitivity (SIN 20dB) 60dBm
- T.H.D (400Hz) 1.0%
- Signal-to-Noise Ratio 40dB (at 85dB/m)

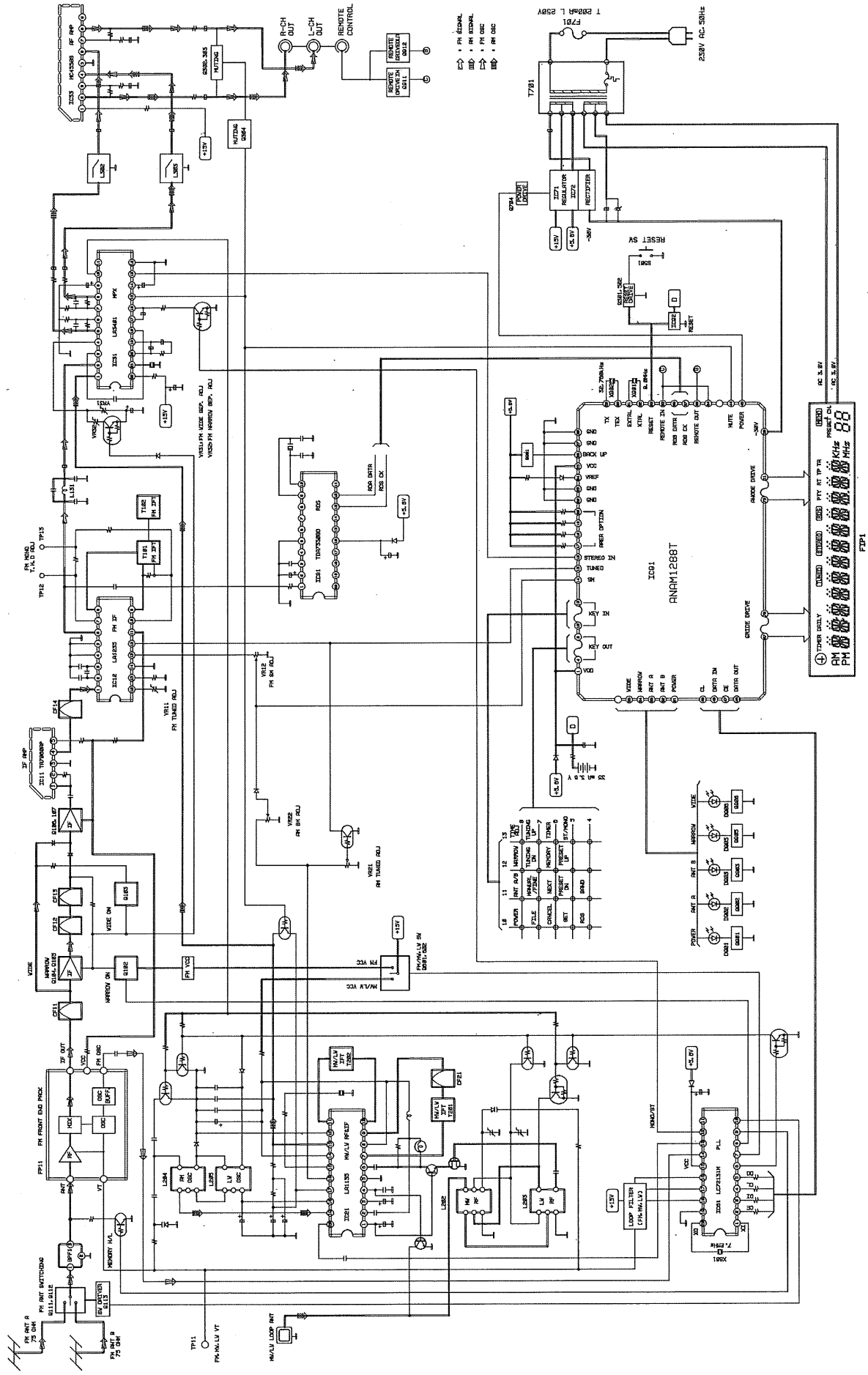
Standard Accessories

- Audio signal connection cord 1
- Remote control connection cord 1
- FM Antenna 1
- AM Loop Antenna 1
- User Guide 1
- Remocon Unit (/U1, /F1) (RC6000ST) 1
- 75-300ohm adaptor (/U1, /F1) 1

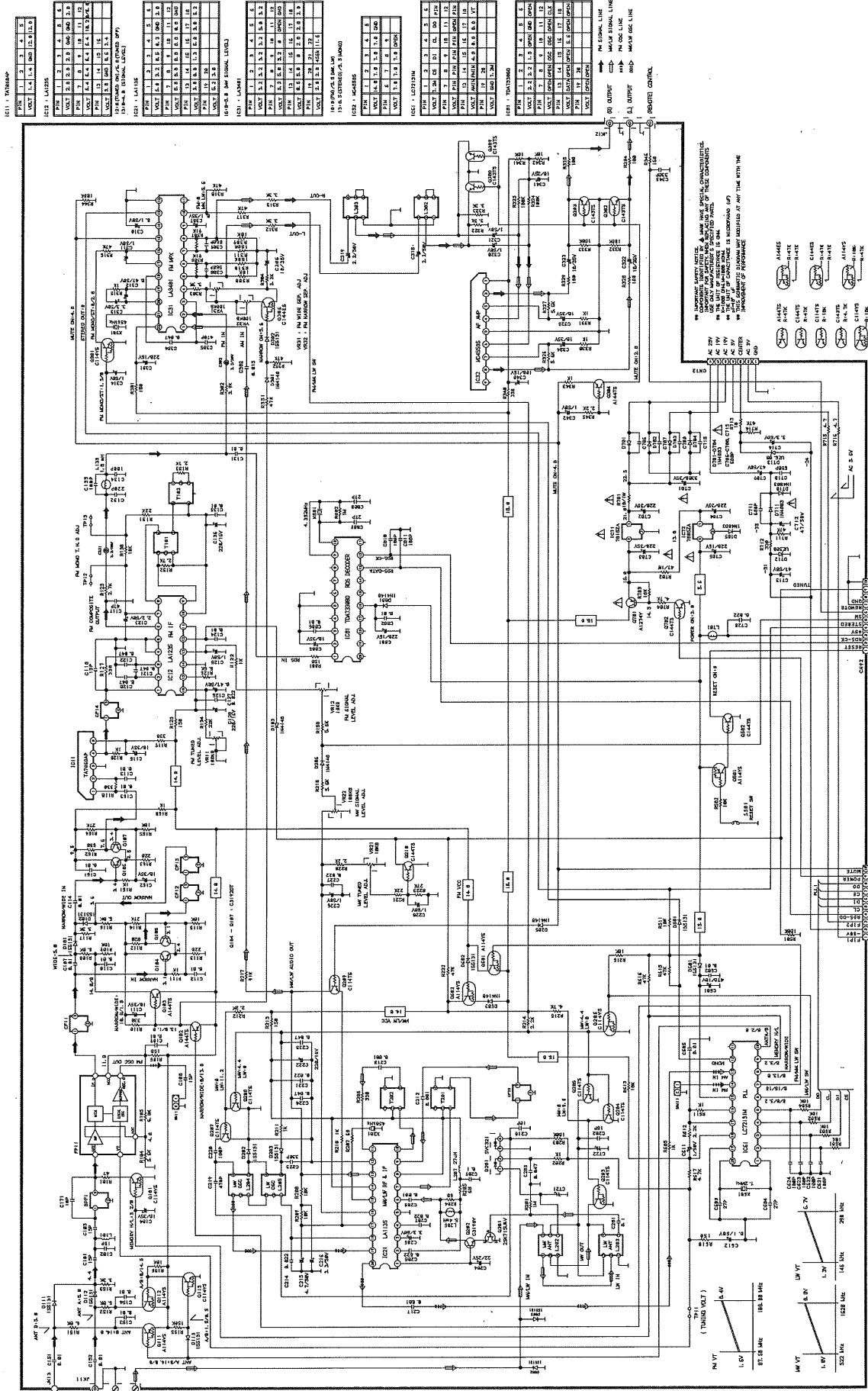
2. WIRING DIAGRAM



3. BLOCK DIAGRAM (N1B,N1G) VERSION

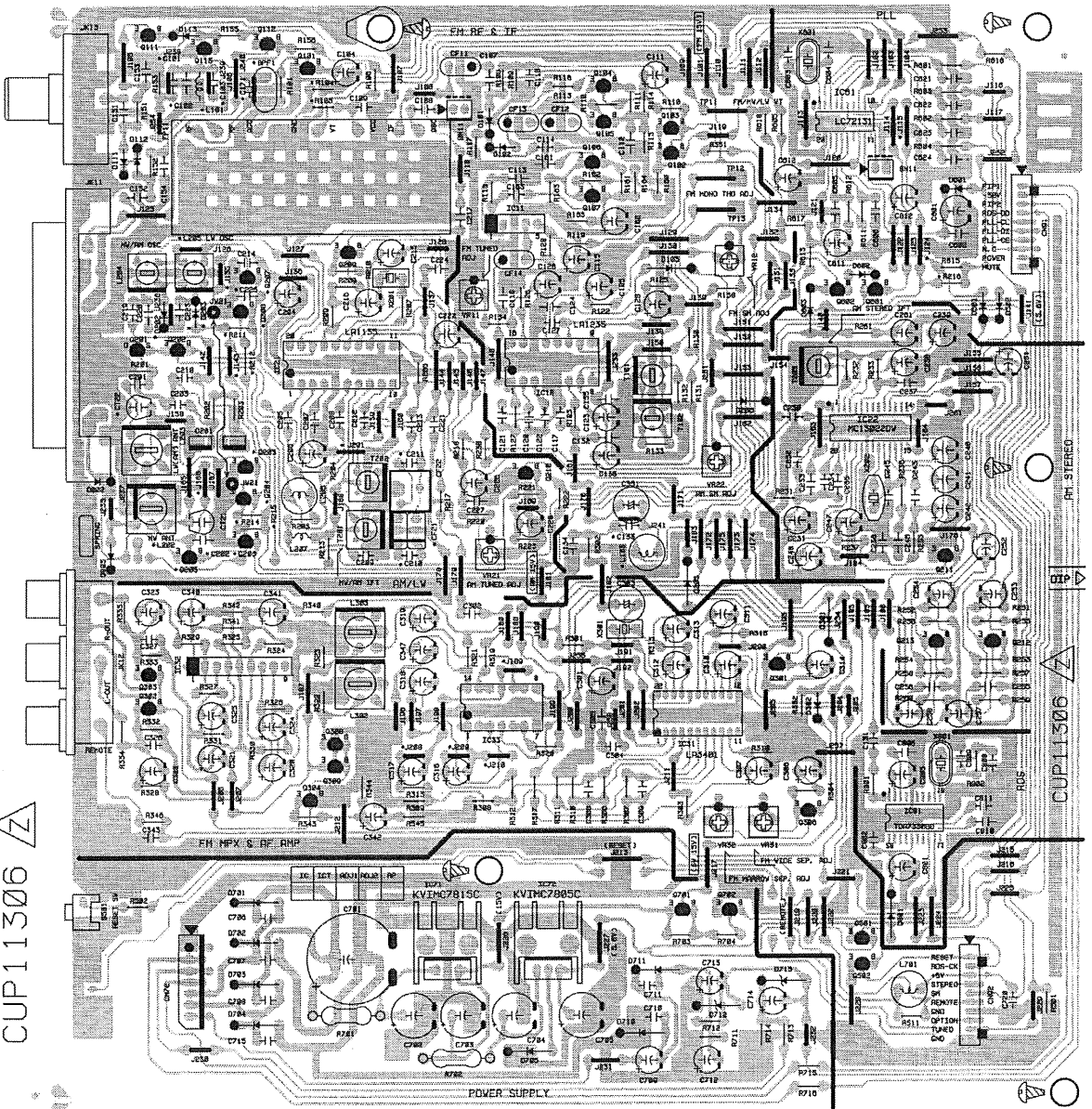


4. SCHEMATIC DIAGRAM AND PARTS LOCATION (N1B,N1G) VERSION

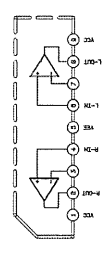


- IC71
- IC72
- Q701
- Q702
- Q602
- Q601
- Q700
- Q703
- Q704
- Q705
- Q706
- Q707
- Q708
- Q709
- Q710
- Q711
- Q712
- Q713
- Q714
- Q715
- Q716
- Q717
- Q718
- Q719
- Q720
- Q721
- Q722
- Q723
- Q724
- Q725
- Q726
- Q727
- Q728
- Q729
- Q730
- Q731
- Q732
- Q733
- Q734
- Q735
- Q736
- Q737
- Q738
- Q739
- Q740
- Q741
- Q742
- Q743
- Q744
- Q745
- Q746
- Q747
- Q748
- Q749
- Q750
- Q751
- Q752
- Q753
- Q754
- Q755
- Q756
- Q757
- Q758
- Q759
- Q760
- Q761
- Q762
- Q763
- Q764
- Q765
- Q766
- Q767
- Q768
- Q769
- Q770
- Q771
- Q772
- Q773
- Q774
- Q775
- Q776
- Q777
- Q778
- Q779
- Q780
- Q781
- Q782
- Q783
- Q784
- Q785
- Q786
- Q787
- Q788
- Q789
- Q790
- Q791
- Q792
- Q793
- Q794
- Q795
- Q796
- Q797
- Q798
- Q799
- Q800
- Q801
- Q802
- Q803
- Q804
- Q805
- Q806
- Q807
- Q808
- Q809
- Q810
- Q811
- Q812
- Q813
- Q814
- Q815
- Q816
- Q817
- Q818
- Q819
- Q820
- Q821
- Q822
- Q823
- Q824
- Q825
- Q826
- Q827
- Q828
- Q829
- Q830
- Q831
- Q832
- Q833
- Q834
- Q835
- Q836
- Q837
- Q838
- Q839
- Q840
- Q841
- Q842
- Q843
- Q844
- Q845
- Q846
- Q847
- Q848
- Q849
- Q850
- Q851
- Q852
- Q853
- Q854
- Q855
- Q856
- Q857
- Q858
- Q859
- Q860
- Q861
- Q862
- Q863
- Q864
- Q865
- Q866
- Q867
- Q868
- Q869
- Q870
- Q871
- Q872
- Q873
- Q874
- Q875
- Q876
- Q877
- Q878
- Q879
- Q880
- Q881
- Q882
- Q883
- Q884
- Q885
- Q886
- Q887
- Q888
- Q889
- Q890
- Q891
- Q892
- Q893
- Q894
- Q895
- Q896
- Q897
- Q898
- Q899
- Q900
- Q901
- Q902
- Q903
- Q904
- Q905
- Q906
- Q907
- Q908
- Q909
- Q910
- Q911
- Q912
- Q913
- Q914
- Q915
- Q916
- Q917
- Q918
- Q919
- Q920
- Q921
- Q922
- Q923
- Q924
- Q925
- Q926
- Q927
- Q928
- Q929
- Q930
- Q931
- Q932
- Q933
- Q934
- Q935
- Q936
- Q937
- Q938
- Q939
- Q940
- Q941
- Q942
- Q943
- Q944
- Q945
- Q946
- Q947
- Q948
- Q949
- Q950
- Q951
- Q952
- Q953
- Q954
- Q955
- Q956
- Q957
- Q958
- Q959
- Q960
- Q961
- Q962
- Q963
- Q964
- Q965
- Q966
- Q967
- Q968
- Q969
- Q970
- Q971
- Q972
- Q973
- Q974
- Q975
- Q976
- Q977
- Q978
- Q979
- Q980
- Q981
- Q982
- Q983
- Q984
- Q985
- Q986
- Q987
- Q988
- Q989
- Q990
- Q991
- Q992
- Q993
- Q994
- Q995
- Q996
- Q997
- Q998
- Q999
- Q1000

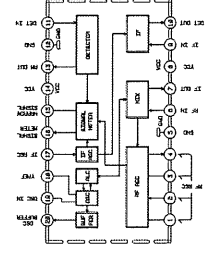
CUP11306



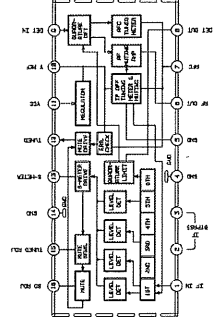
IC32 : MC4558S

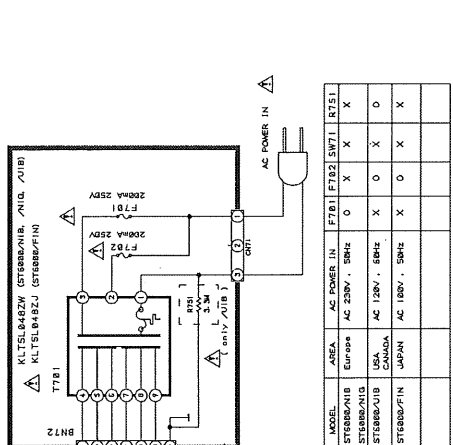
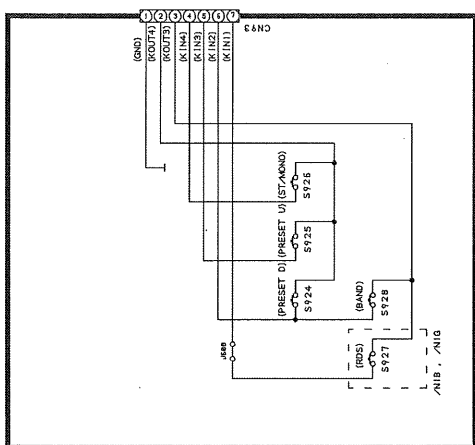
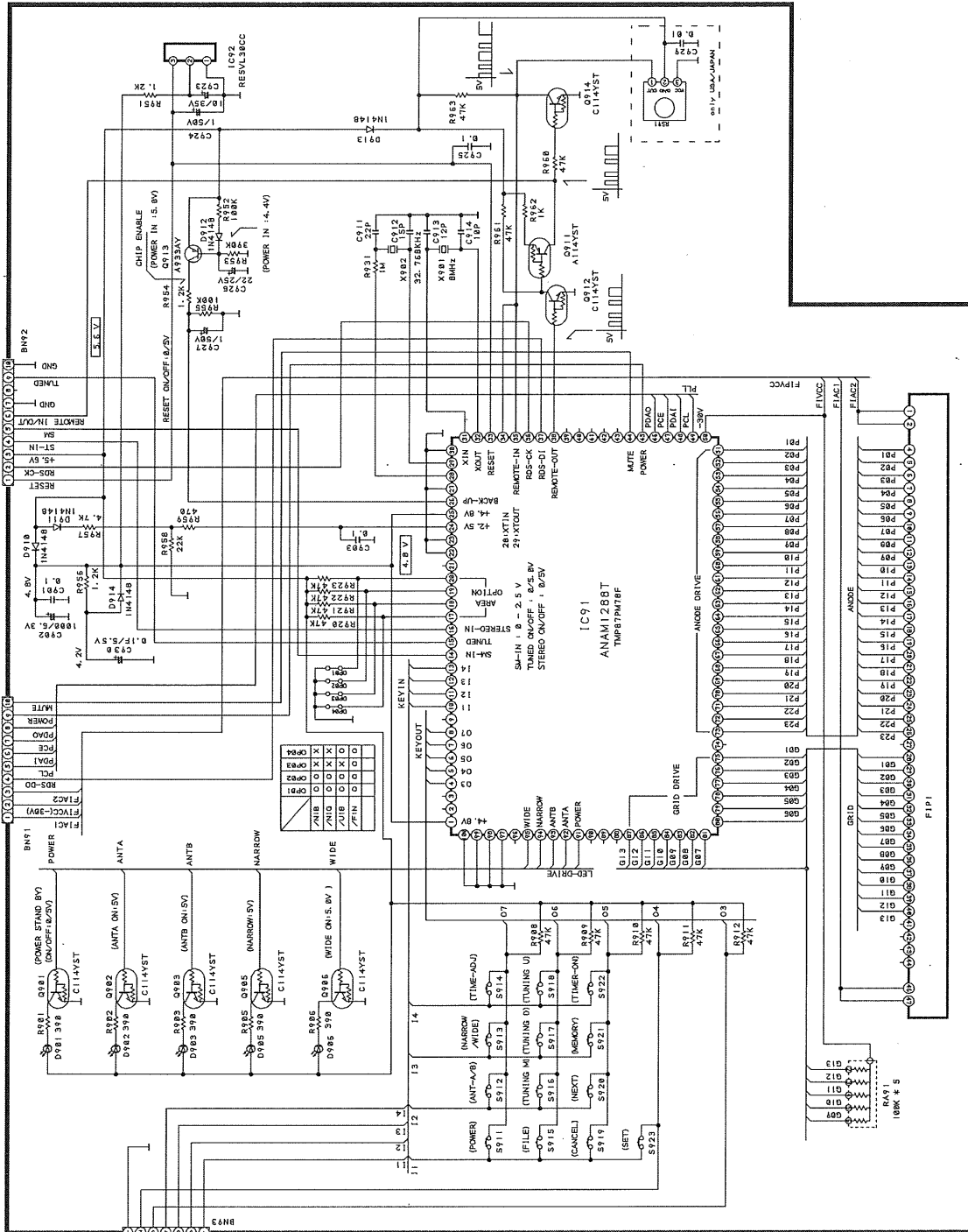


IC21 : LA1135



IC12 : LA1235





MODEL	AREA	AC POWER IN	F701	F702	S701	R751
STEREO/NIB	Europe	AC 230V, 50Hz	0	X	X	X
STEREO/NIG	USA	AC 120V, 60Hz	X	0	X	0
STEREO/OIB	CANADA	AC 120V, 60Hz	X	0	X	0
STEREO/FIN	JAPAN	AC 100V, 50Hz	X	0	X	X