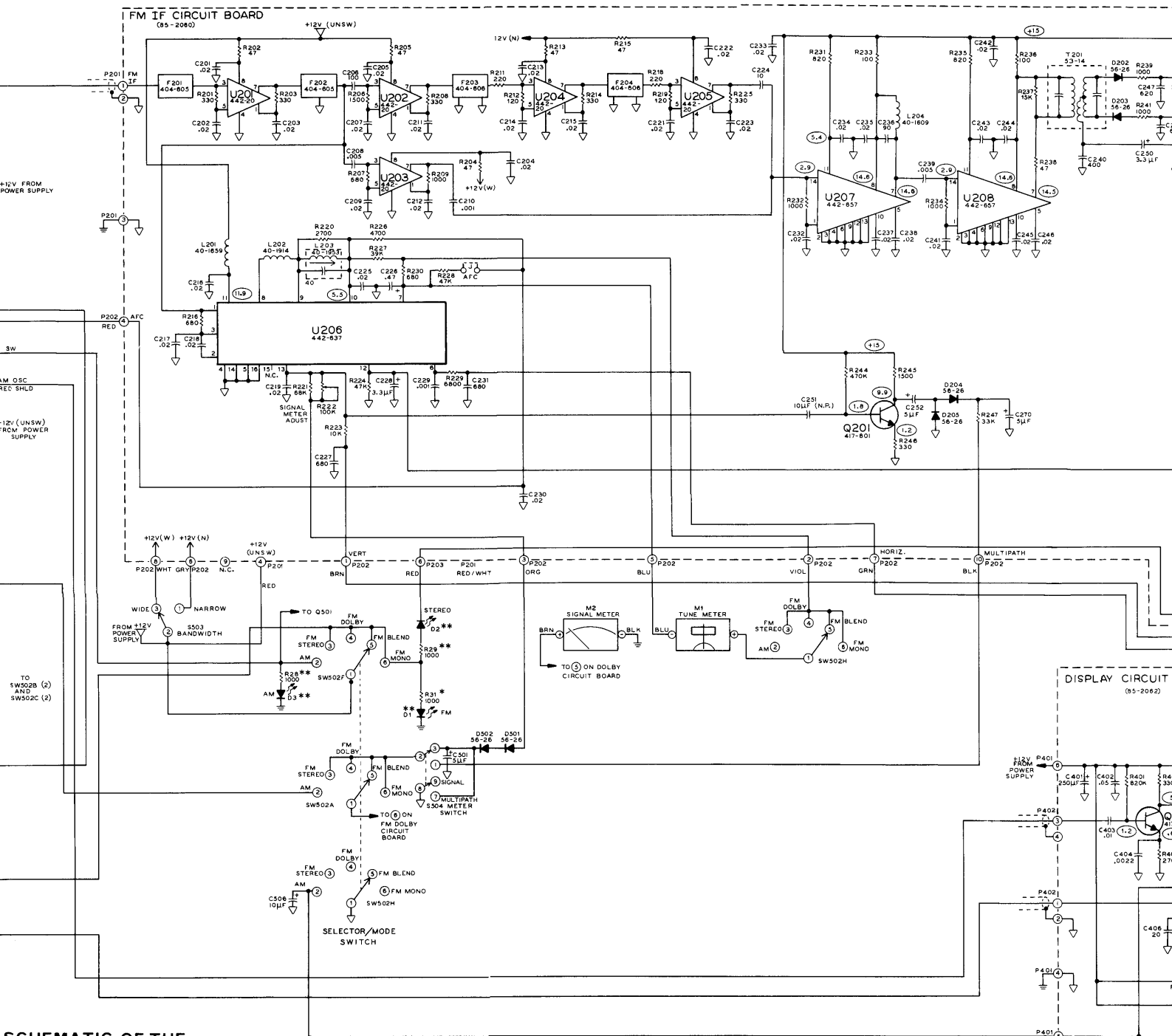


**SCHEMATIC
HEATHK
AM/FM STEREO D
MODEL AJ**

- NOTES:**
1. ALL RESISTORS ARE 1/4 WATT, .5% TOLERANCE UNLESS OTHERWISE NOTED. (k = 1000, M = 1,000,000).
 2. CAPACITORS LESS THAN 1 ARE IN μF (MICROFARADS), ALL OTHER CAPACITORS ARE IN pF (PICOFARADS) UNLESS OTHERWISE NOTED.
 3. COMPONENT NUMBERS ARE IN THE FOLLOWING ORDER:
 - 1-99 PARTS IN THE TUNER ASSEMBLY ON THE CHASSIS.



SCHEMATIC OF THE HEATHKIT® AM STEREO DIGITAL TUNER MODEL AJ-1600

- 101-150 PARTS MOUNTED ON THE AM CIRCUIT BOARD.
- 175-199 PARTS MOUNTED ON THE FM DIVIDER CIRCUIT BOARD.
- 201-349 PARTS MOUNTED ON THE FM IF CIRCUIT BOARD.
- 350-399 PARTS MOUNTED ON THE OUTPUT CIRCUIT BOARD.
- 401-499 PARTS MOUNTED ON THE DISPLAY CIRCUIT BOARD.
- 500-599 PARTS MOUNTED ON THE SWITCH CIRCUIT BOARD.
- 601-699 PARTS MOUNTED ON THE POWER SUPPLY CIRCUIT BOARD.

** PARTS MOUNTED ON LED CIRCUIT BOARD. NOTE: PL1 AND PL2 ARE MOUNTED ON THE LAMP CIRCUIT BOARD.

4. THE FOLLOWING SYMBOLS ARE USED ON THE SCHEMATIC.
- ⊥ THIS SYMBOL INDICATES A CHASSIS GROUND.
 - ▽ THIS SYMBOL INDICATES A CIRCUIT BOARD GROUND.

③ THIS SYMBOL INDICATES A CIRCUIT BOARD PLUG CONNECTION (PIN NUMBER INDICATED).

▽ THIS SYMBOL INDICATES A CONNECTION TO A CIRCUIT VOLTAGE SUPPLY.

⊥+12V THIS SYMBOL INDICATES A POWER SUPPLY VOLTAGE SOURCE.

○ THIS SYMBOL INDICATES A DC VOLTAGE TAKEN FROM THE POINT INDICATED WITH A HIGH INPUT IMPEDANCE VOLTMETER TO CHASSIS GROUND. ALSO INDICATES DC VOLTAGES AT MUTE CIRCUITS IN MUTED CONDITION.

□ THIS SYMBOL INDICATES DC VOLTAGES AROUND MUTE CIRCUITRY IN UNMUTED CONDITION.

* THIS SYMBOL INDICATES AN OPERATING DC VOLTAGE IN AM MODE ONLY.

** ORDER ONLY DIRECT-REPLACEMENTS, BY HEATHKIT PART NUMBER.

5. FOR THE PHYSICAL LOCATION TO COMPONENTS, REFER TO THE "CIRCUIT BOARD X-RAY VIEWS," STARTING ON PAGE 116.

1/4 WATT, 5% TOLERANCE UNLESS INDICATED OTHERWISE (K=1,000, M=1,000,000).

VALUES LESS THAN 1 ARE IN pF (PICOFARADS) UNLESS OTHERWISE INDICATED.

VALUES ARE IN THE FOLLOWING GROUPS:

VALUES ARE IN THE FOLLOWING GROUPS:

